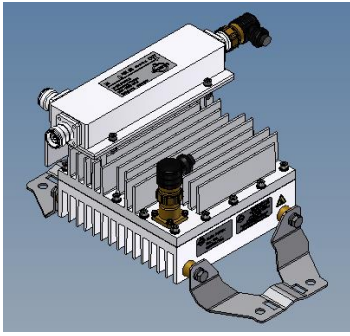
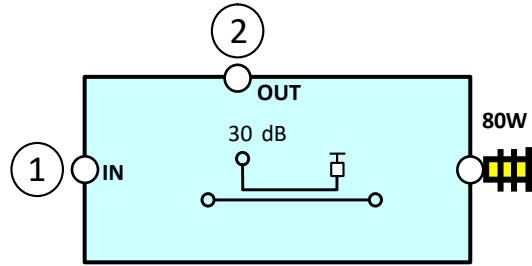


Low PIM Attenuator 4.8dB / 6dB / 7dB / 8dB / 10dB / 13dB / 15dB / 20dB / 30dB



Picture not binding



Block Diagram
(Example: 30dB Attenuator)

Electrical characteristics

| Part number | 745401 | 745402 | 745403 | 745404 | 745405 | 745406 | 745407 | 745408 | 745409 |
|------------------------------------|--|------------------|------------------|------------------|-------------------|-------------------|-------------------|-----------------|-----------------|
| Frequency range | 350 - 3800 MHz | | | | | | | | |
| Attenuation | 4.8 dB ± 1.2 dB | 6 dB ± 1.2 dB | 7 dB ± 1.2 dB | 8 dB ± 1.5 dB | 10 dB ± 1.5 dB | 13 dB ± 1.5 dB | 15 dB ± 1.5 dB | 20 dB ± 2 dB | 30 dB ± 2 dB |
| VSWR | ≤ 1.4 (typ. ≤ 1.3) | | | | | | | | |
| IM - value 3rd order @ 2 x 20 W | ≤ -140 dBc; typ. ≤ -145 dBc @ 350 - 694 MHz ≤ -150 dBc; typ. ≤ -155 dBc @ 694 - 800 MHz ≤ -155 dBc; typ. ≤ -160 dBc @ 800 - 3000 MHz | | | | | | | | |
| Impedance | 50 Ohm | | | | | | | | |
| Power Rating | ≤ 80 W (CW) | | | | | | | | |

Mechanical characteristics

| | |
|----------------------|---|
| Connectors | 4.3-10 female |
| Dimensions, approx. | 301 x 255 x 153 mm (Width x Depth x Height) |
| Weight, approx. | 3 kg |
| Wall / Mast mounting | Part of delivery |

Environmental conditions

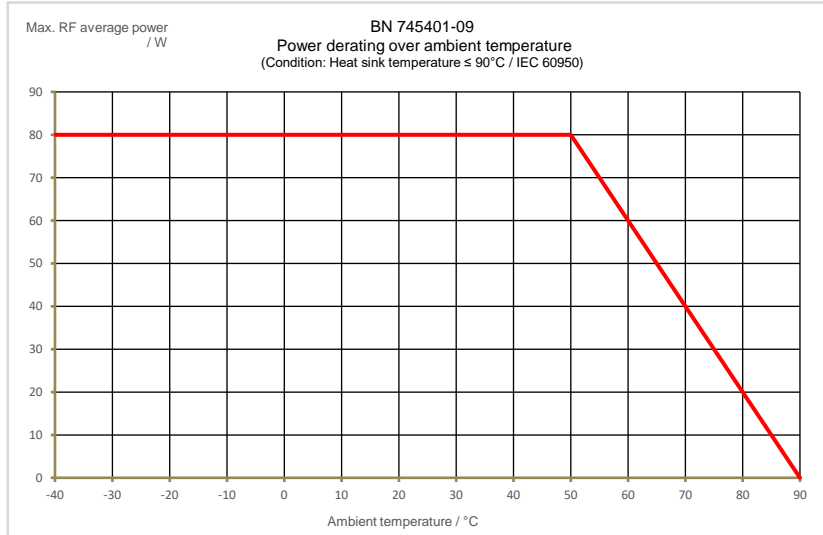
| | |
|-------------------------------------|--|
| Class. of environmental conditions | ETSI EN 300019-1-1 Class 1.2 ETSI EN 300019-1-2 Class 2.3 ETSI EN 300019-1-4 Class 4.1E |
| Degree of protection | IP 65 (Outdoor) |
| Operation Ambient temperature range | -40 °C to +50 °C (full power rating) +50 to +85 °C (limited power rating, see derating curve) |
| Storage Ambient temperature range | -40 °C to +85 °C |
| Relative humidity, max. | 95% (non-condensing) |

SPINNER GmbH
 This document is proprietary to us.
 All rights reserved. Any use, transfer, or reproduction of this document
 or the know-how contained therein requires our express consent.

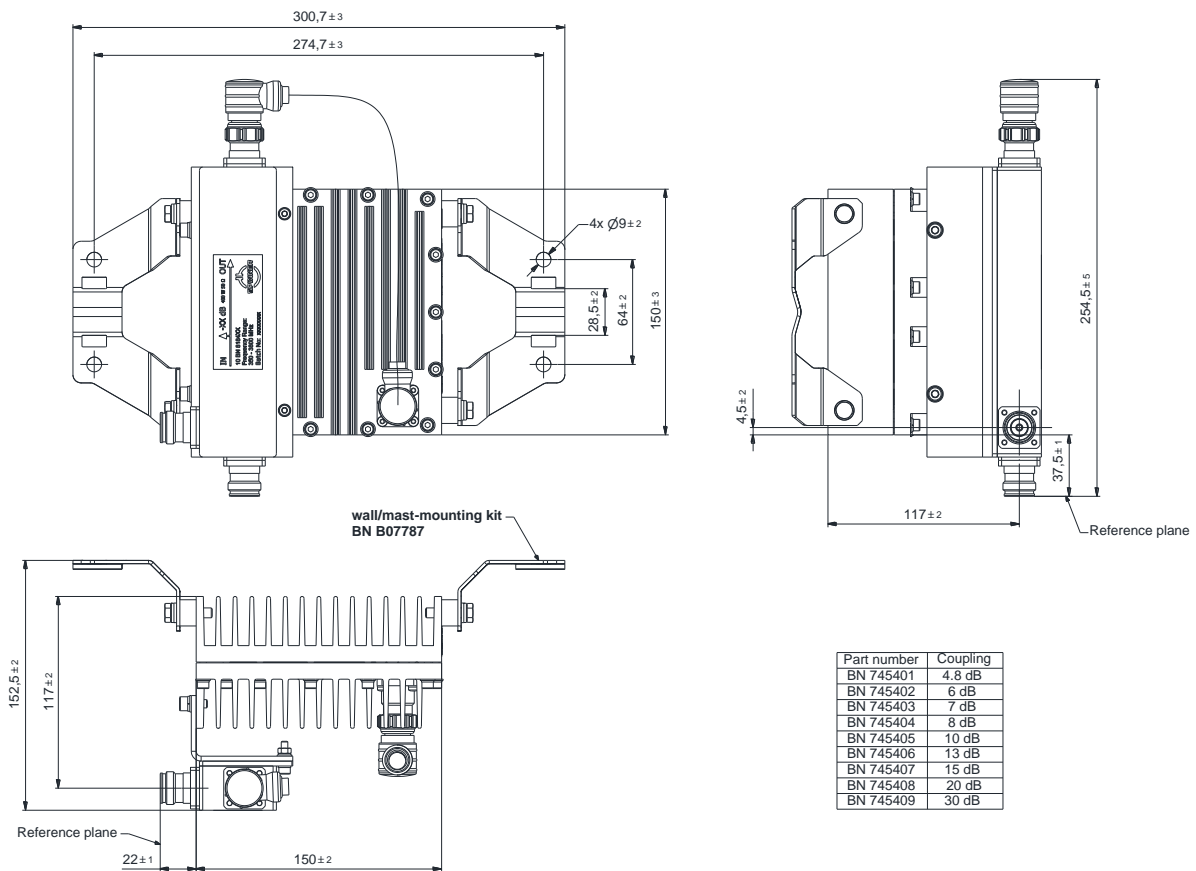
Template TD-00002Y

Low PIM Attenuator 4.8dB / 6dB / 7dB / 8dB / 10dB / 13dB / 15dB / 20dB / 30dB

Temperature derating diagram:



Outline (all dimensions in millimeter)



Standard:
4.3-10 female (50 ohms): IEC 61169-54;

modifications reserved