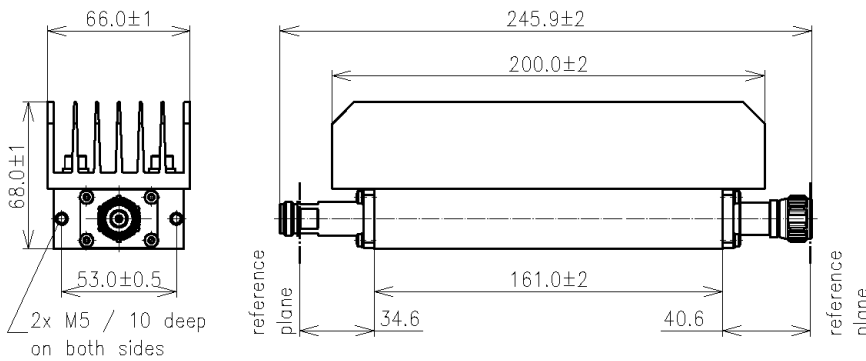


Attenuator Type N || BN 745271

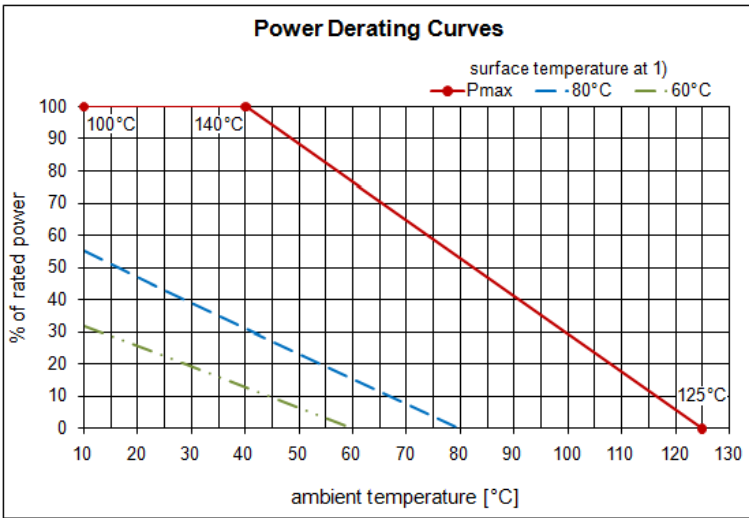


all dimensions in millimeter

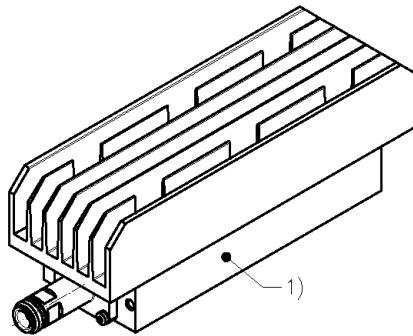
Interface type	N socket (50 Ω) per IEC 61169-16 N plug (50 Ω) per IEC 61169-16
VSWR, max.	1.08 @ DC to 1 GHz 1.13 @ 1 to 2 GHz 1.22 @ 2 to 3 GHz 1.35 @ 3 to 4 GHz
Frequency range	DC to 4 GHz
Power dissipation, max.	100 W
Attenuation	80 dB ± 4 dB
Inner conductor material / surface finish	copper alloy / silver plated
Outer conductor material / surface finish	copper alloy / silver plated
Substrate	aluminum nitride (free of beryllium oxide)
Case material / surface finish	aluminum / untreated
Heat sink	aluminum / anodised black
Other metal parts / surface finish	copper alloy / nickel plated
Insulation	PTFE
Sealing	silicone rubber
IP protection level	IP50 per EN 60529
Weight, approx.	1.4 kg
Ambient temperature range	-40 to +40 °C full power 2) For higher ambient temperature see Power Derating Curve below
Altitude	2286 m full power 2)
Operating position	any

Attenuator Type N || BN 745271

Power derating



- 1) Measuring point for surface temperature, see graph
- 2) The maximum power handling is reduced with rising ambient temperatures, see Power Derating Curve



recommended space for panel mounting

