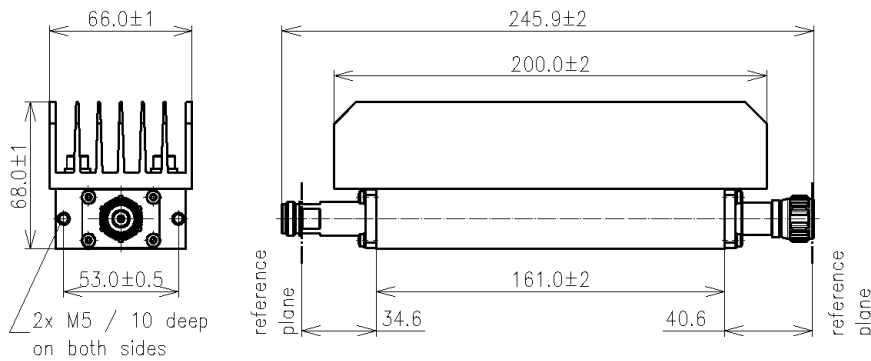


Attenuator Type N || BN 745270

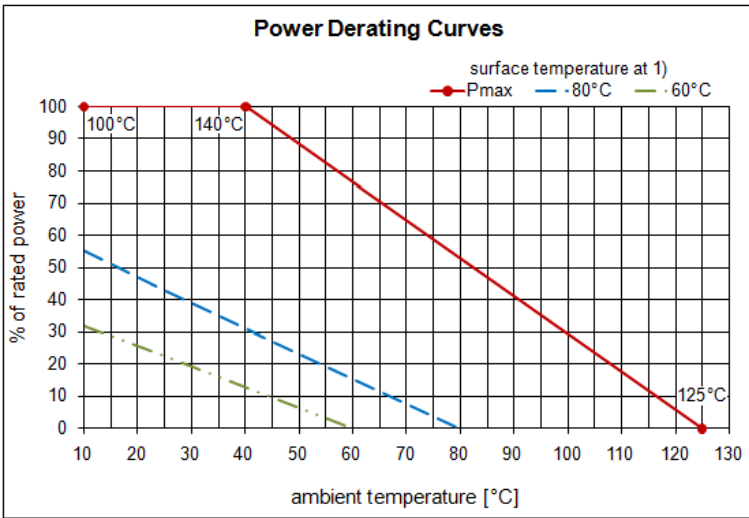


all dimensions in millimeter

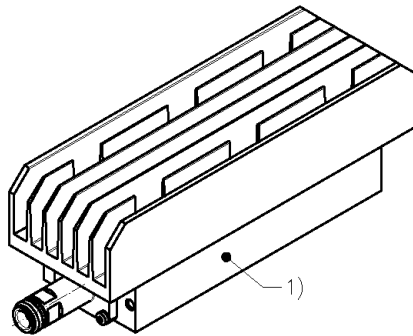
|   |  |
|---|--|
| Interface type                            | N socket (50 Ω) per IEC 61169-16<br>N plug (50 Ω) per IEC 61169-16                           |
| VSWR, max.                                | 1.08 @ DC to 1 GHz<br>1.13 @ 1 to 2 GHz<br>1.22 @ 2 to 3 GHz<br>1.35 @ 3 to 4 GHz            |
| Frequency range                           | DC to 4 GHz  |
| Power dissipation, max.                   | 100 W  |
| Attenuation                               | 60 dB ± 2 dB   |
| Inner conductor material / surface finish | copper alloy / silver plated   |
| Outer conductor material / surface finish | copper alloy / silver plated   |
| Substrate                                 | aluminum nitride (free of beryllium oxide)   |
| Case material / surface finish            | aluminum / untreated   |
| Heat sink                                 | aluminum / anodised black  |
| Other metal parts / surface finish        | copper alloy / nickel plated   |
| Insulation                                | PTFE   |
| Sealing                                   | silicone rubber  |
| IP protection level                       | IP50 per EN 60529  |
| Weight, approx.                           | 1.4 kg   |
| Ambient temperature range                 | -40 to +40 °C full power 2)<br>For higher ambient temperature see Power Derating Curve below |
| Altitude                                  | 2286 m full power 2)   |
| Operating position                        | any  |

Attenuator Type N || BN 745270

Power derating



- 1) Measuring point for surface temperature, see graph
- 2) The maximum power handling is reduced with rising ambient temperatures, see Power Derating Curve



recommended space for panel mounting

