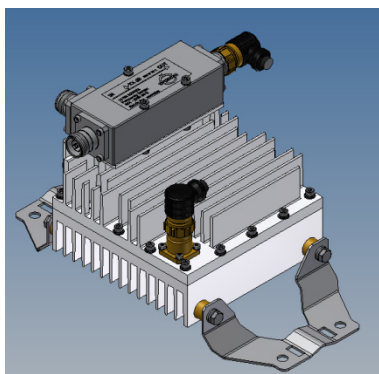
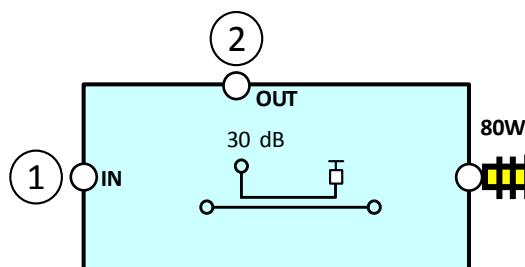


Low PIM Attenuator 4.8dB / 6dB / 7dB / 8dB / 10dB / 13dB / 15dB / 20dB / 30dB



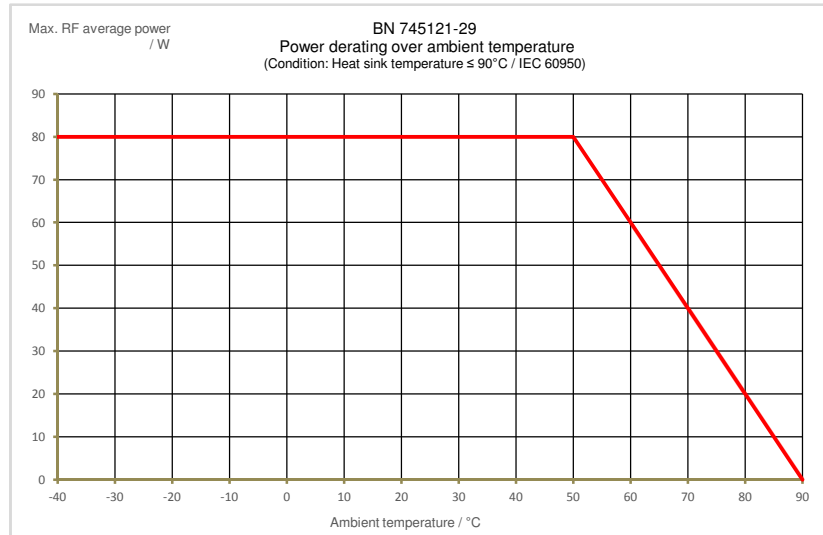
Not binding



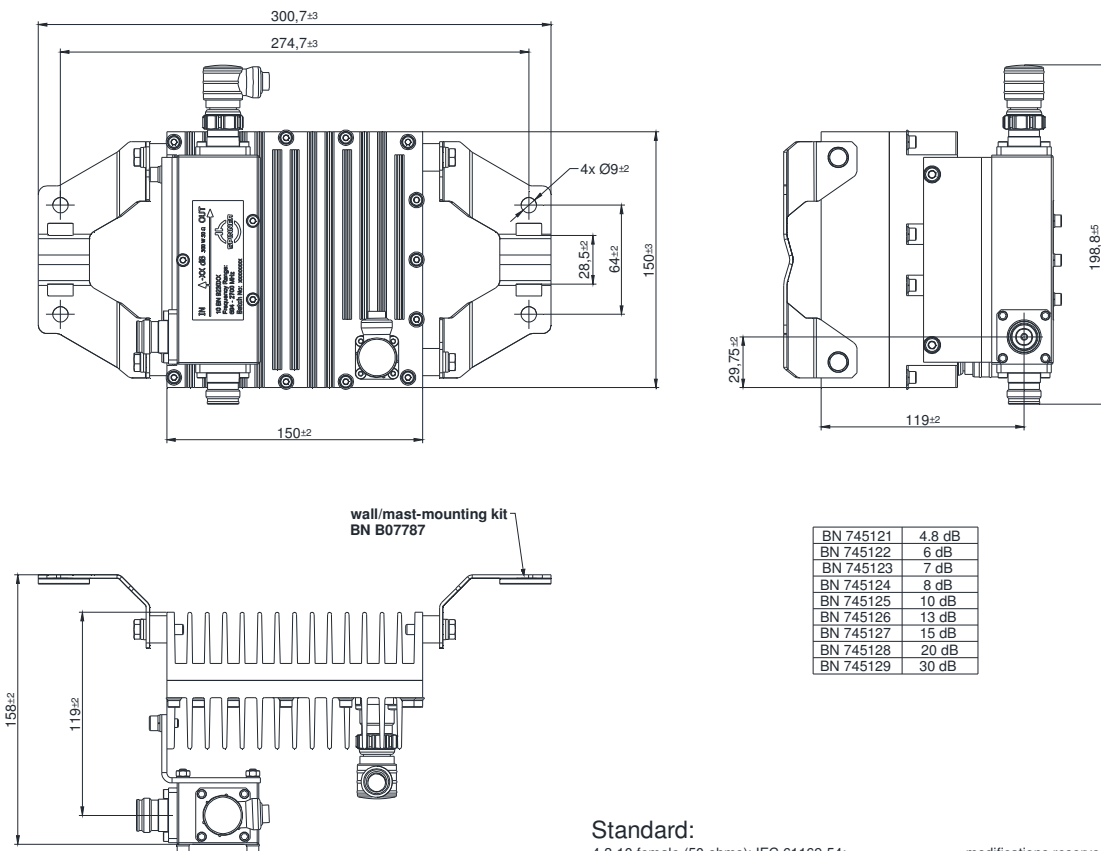
Block Diagram
(Example:30dB Attenuator)

Part number (BN)	745121	745122	745123	745124	745125	745126	745127	745128	745129
Connectors	4.3 -10 Female (50 Ohms)								
Frequency range	694 – 2700 MHz								
Attenuation	4.8 dB +1.0/-0.6 dB	6 dB ± 0.8 dB	7 dB ± 0.8 dB	8 dB ± 0.8 dB	10 dB ± 0.8 dB	13 dB ± 0.8 dB	15 dB ± 1.0 dB	20 dB ± 1.0 dB	30 dB ± 1.2 dB
VSWR	≤ 1.25								
Power rating	≤ 80W cw								
Ambient temperature range	-40 ... +50 °C (full power rating) +50...+85 °C (limited power rating, see derating curve)								
IM - value 3rd order @ 2 x 20 W	-150 dBc @ 2x 20W @ 694...870 MHz -160 dBc @ 2x 20W @ 870...2700 MHz								
Application	Outdoor								
Degree of protection	IP 65								
Environmental conditions	ETSI EN 300019-1-1 Class 1.2 ETSI EN 300019-1-2 Class 2.3 ETSI EN 300019-1-4 Class 4.1E								
Weight:	Approx. 3 kg								
Wall / Mast mounting	to be ordered separately under BN B07787								

Temperature derating diagram:



Dimensions:



Standard:

4.3-10 female (50 ohms): IEC 61169-54;

modifications reserved