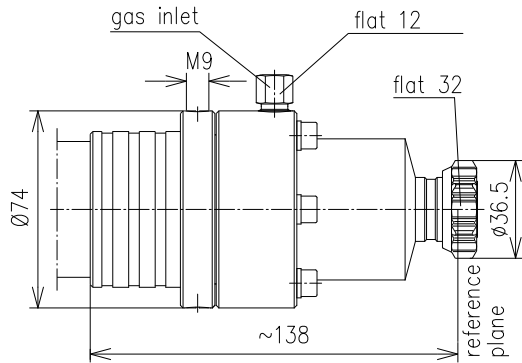


CABLE PLUG FOR AIR DIELECTRIC CABLE 1 5/8"-TYPE 7-16



Part number	BN 69 06 10		
Connector type	7-16 plug		
Impedance	50 Ω		
Frequency range	0 - 1 GHz	1 - 2.3 GHz	2.3 - 2.7 GHz
VSWR	≤ 1.02	≤ 1.03	≤ 1.06
Material and surface			
Inner conductor	copper alloy	silver-plated	
Outer conductor	copper alloy	silver-plated	
Other metal parts	copper alloy stainless steel	bright nickel-plated	
Insulation	PTFE		
Sealing	silicone rubber, copper, PLAST 2000®		
Degree of protection	IP68 (pressure-tight up to 4bar/400kPa)		
Cable compatibility	RFS	HCA 158-50	
Standards	IEC 61169-4		
Installation instructions	M30589		
Weight	approx. 1.5 kg		
Included in delivery	cover, sealing, installation instructions		