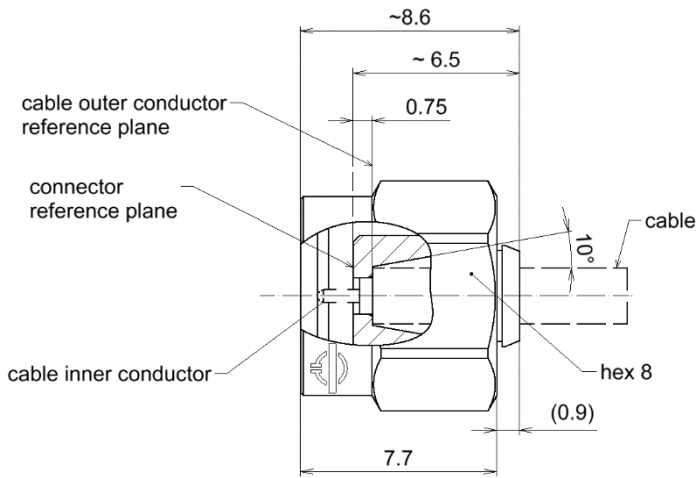


Type 1.85 mm Plug for cable low loss semi rigid 0.086" || BN 641792C0002



all dimensions in millimeter

**Radio frequency characteristics**

Interface type	1.85 mm plug per IEC 61169-32
Frequency range	DC to 70 GHz
Impedance	50 Ω
VSWR, max.	1.22 @ DC to 70 GHz

**Mechanical characteristics**

Outer conductor material / surface finish	copper alloy / gold-plated
Coupling nut / surface finish	copper alloy / CuSnZn-plated
Version	solder
Cable compatibility	Elspec CR085-LL-Cu
Mechanically compatible with cable	Outer conductor: dia. 2.2 +/- 0.05 mm, Dielectric: dia. max. 1.4

**Scope of delivery and accessories**

installation instructions	M32097
---------------------------	--------

SPINNER GmbH  
 This document is proprietary to us.  
 All rights reserved. Any use, transfer, or reproduction of this document  
 or the know-how contained therein requires our express consent.