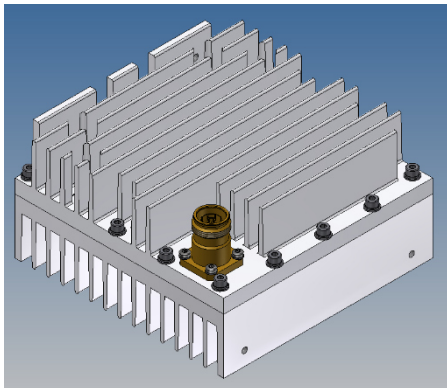
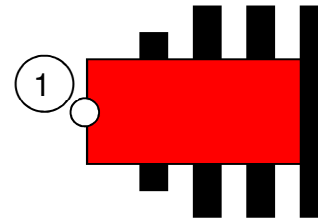


Coaxial Load 80W low IM



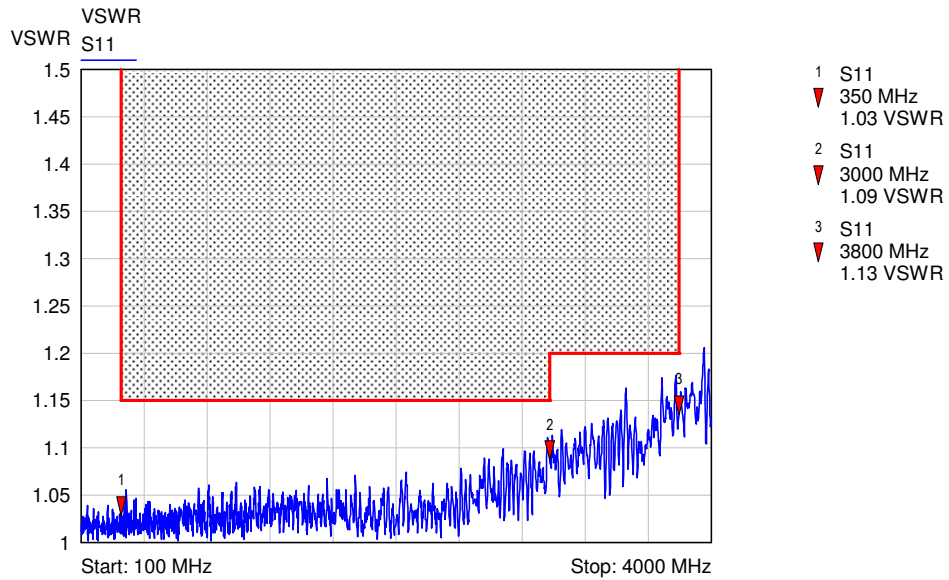
80W Load



Block Diagram

<b>Part number</b>	<b>BN 594277</b>
Connector	4.3 -10 Female (50 Ohms)
Frequency range	350 – 3800 MHz
Intermodulation products: 3rd order @ 2 x 20 W	$\leq -140$ dBc (typ. $\leq -145$ dBc) @ 350 - 694 MHz $\leq -150$ dBc (typ. $\leq -155$ dBc) @ 694 - 800 MHz $\leq -160$ dBc (typ. $\leq -165$ dBc) @ 800 - 3000MHz
VSWR	$\leq 1.15$ ; typ. $\leq 1.08$ @ 350 - 3000MHz $\leq 1.2$ ; typ. $\leq 1.15$ @ 3000 - 3800MHz
Power rating	$\leq 80$ W
Ambient temperature range	-40 ... +50 °C (full power rating) +50...+85 °C (limited power rating, see derating curve)
Degree of protection: mated / 1bar, 1h, $\leq 18^\circ\text{C}$	IP 65
Environmental conditions:	ETSI EN 300019-1-1 Class 1.2 ETSI EN 300019-1-2 Class 2.3 ETSI EN 300019-1-4 Class 4.1E
Weight:	2 kg
Wall / Mast mounting(optional)	to be ordered separately under BN B07787

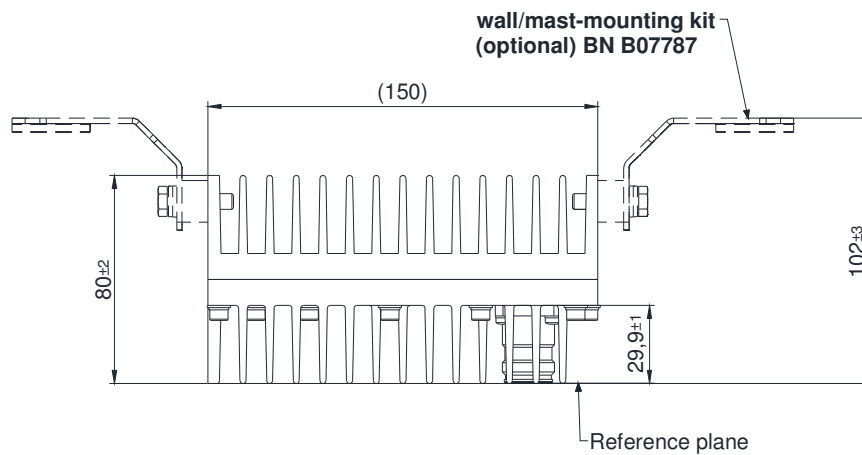
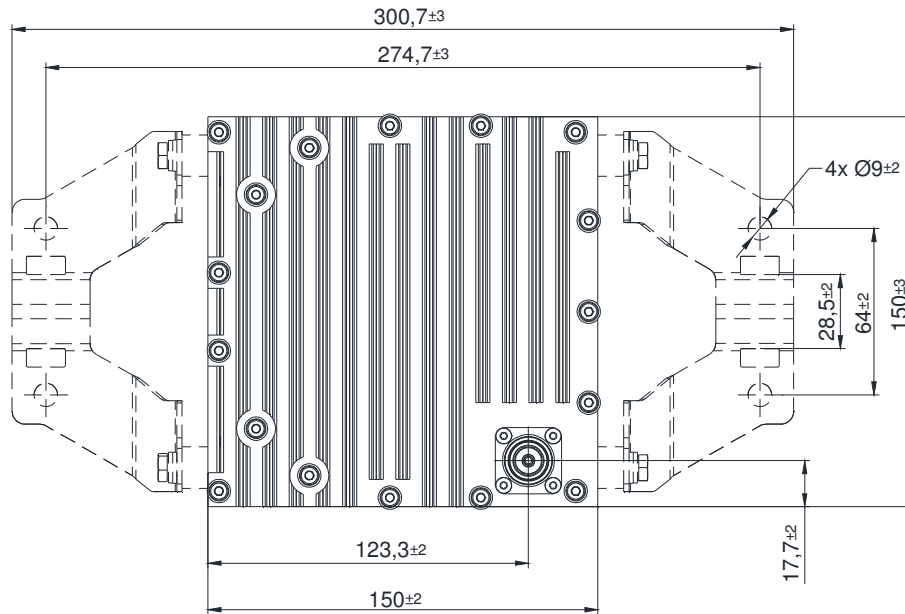
Measurements:



Temperature derating diagram:



Dimensions :



**Standard:**

4.3-10 female (50 ohms): IEC 61169-54;

modifications reserved