

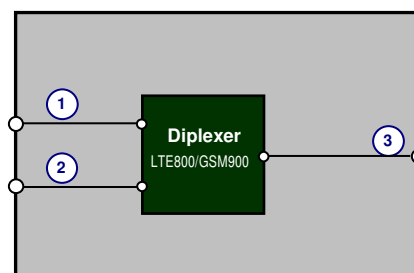
Diplexer LTE800 / GSM900



single unit



double unit

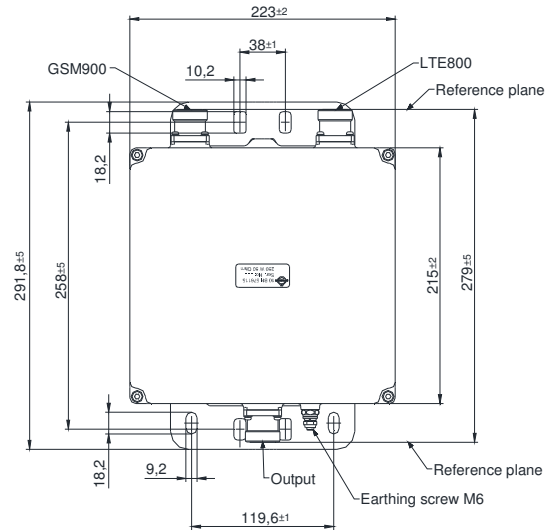
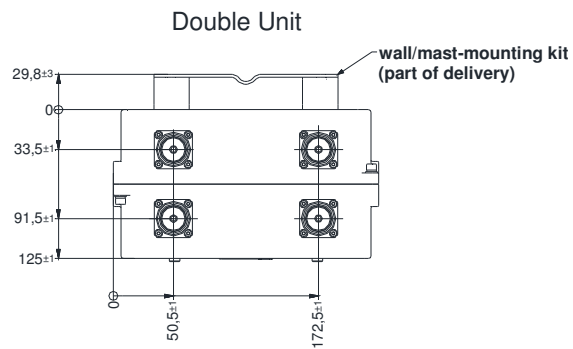
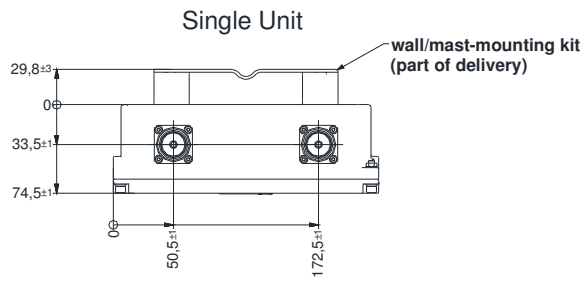


block diagram

Part number	BN 576115	BN 576116
Version	single	double
Connectors	7-16 socket (50 Ohms)	
Frequency range	Port 1: 790 - 862 MHz (LTE800) Port 2: 880 - 960 MHz (GSM900)	
Insertion loss	≤ 0.4 dB (typ. 0.25 dB)	
Isolation	≥ 55 dB (typ. 60 dB)	
VSWR	≤ 1.25 (typ. 1.2)	
Power rating	300 W CW	
IM – value 3rd order @ 2 x 20 W	≤ -155 dBc typical: ≤ -160 dBc	
DC by-pass	max. 1A per input max. 60 V DC (AISG Standard, 2.0, § 6.4)	
Degree of protection	IP 68	
Environmental conditions	ETSI EN 300019-1-1 Class 1.2 ETSI EN 300019-1-2 Class 2.3 ETSI EN 300019-1-4 Class 4.1E	
Size	See outline drawing	
Weight	approx. 4 kg	approx. 8 kg
Wall/ Mast mounting	part of delivery	
Temperature range	-40 °C – +65°C	

Dimensions:

A (1 : 3)



Standard:

7-16 female (50 ohms): EN122190, IEC 61169-4

modifications reserved