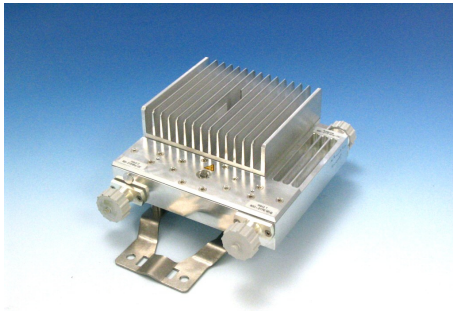
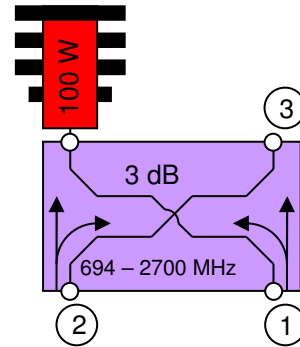


3 dB Hybrid Combiner with integrated low IM-Load



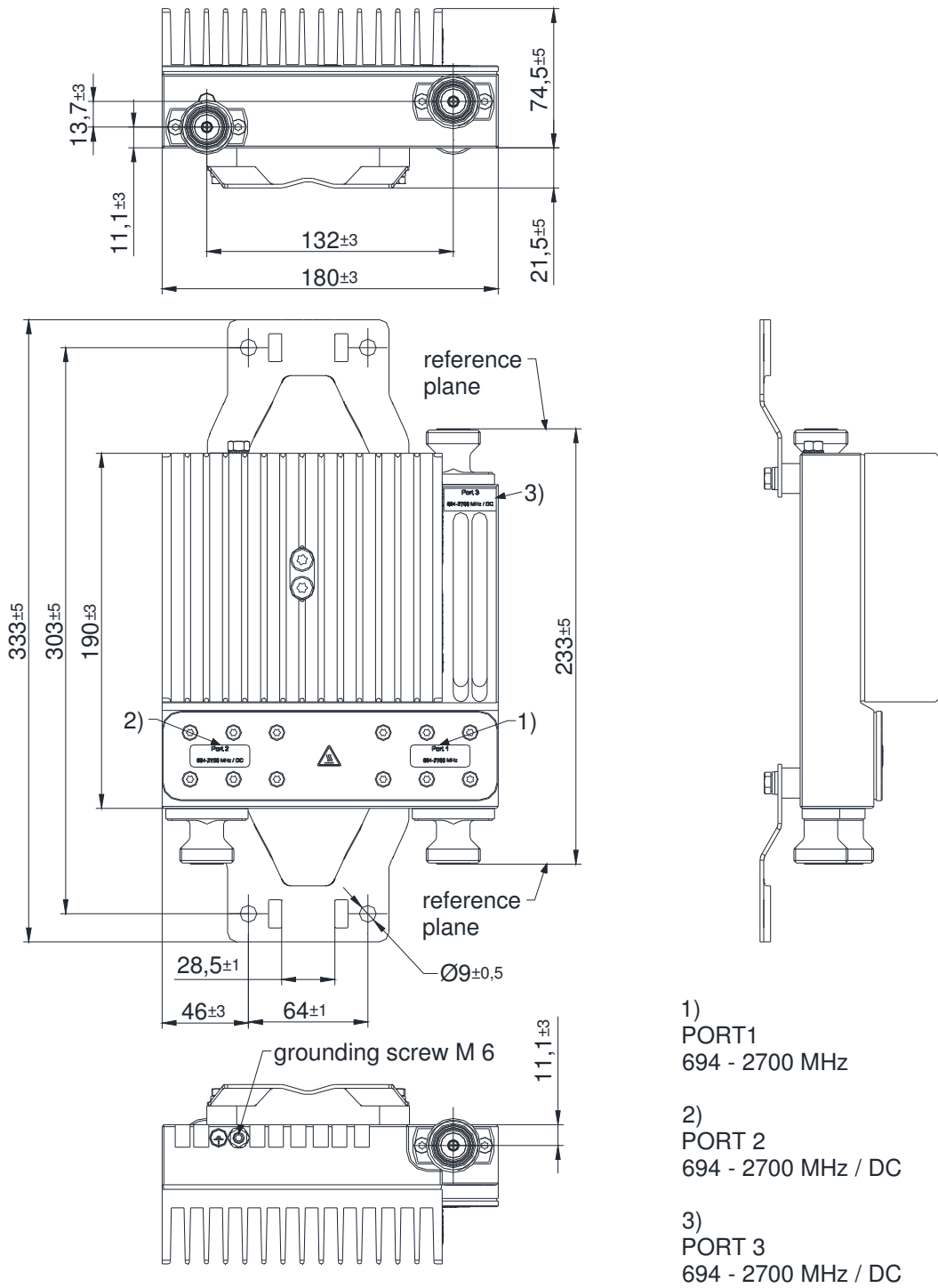
not binding



Block Diagram

Part number	BN 573645	
Connectors	7-16 socket (50 Ohms)	
Frequency range	694 – 2700 MHz	
Coupling attenuation	694 – 800 MHz	3 dB +/- 0.5 dB
	800 – 2700 MHz	3 dB +/- 0.4 dB
Isolation	≥ 30 dB	
VSWR	≤ 1.15	
Test voltage	500 V	
Power rating	vertical mounting position	100 W (per input)
	horizontal mounting position	80 W (per input)
	hanging mounting position	80 W (per input)
IM – value	≤ -155 dBc typical: ≤ -160dBc	
3rd order @ 2 x 20 W		
Special feature	DC path Port 2 → Port 3 (max. 2.5 A AISG conform)	
Degree of protection	IP 68	
mated / 1bar, 1h, ≤18°C		
Environmental conditions	ETSI EN 300019-1-1 Class 1.2 ETSI EN 300019-1-2 Class 2.3 ETSI EN 300019-1-4 Class 4.1E	
Wall / Mast mounting	part of delivery	
Weight	4.0 kg	
Temperature range	-40 °C – +55 °C	

Dimension:



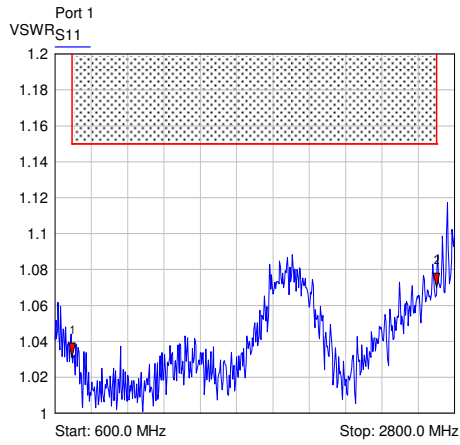
Standard:

7-16 female (50 ohms): CECC 22190, IEC 61169-4;

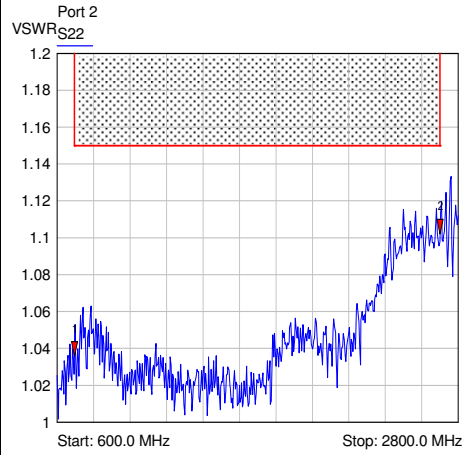
modifications reserved

Measurements:

VSWR:

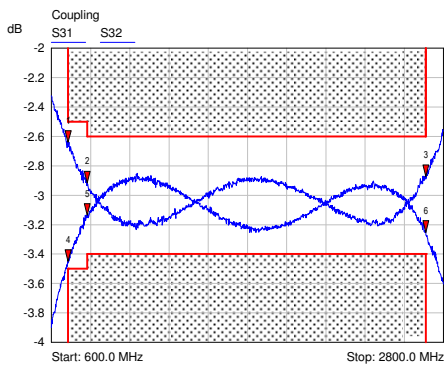


- 1 S11
▼ 694.0 MHz
1.03 VSWR
- 2 S11
▼ 2700.0 MHz
1.07 VSWR



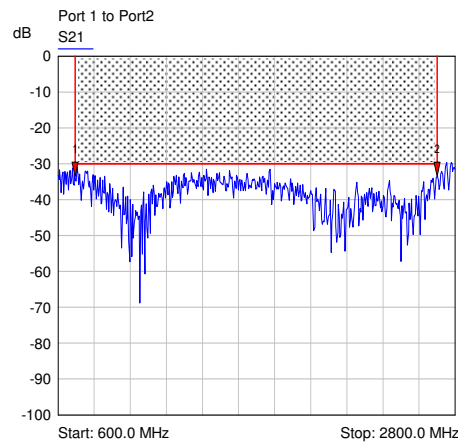
- 1 S22
▼ 694.0 MHz
1.04 VSWR
- 2 S22
▼ 2700.0 MHz
1.10 VSWR

Coupling attenuation:



- 1 S31
▼ 694.0 MHz
-2.64 dB
- 2 S31
▼ 800.0 MHz
-2.92 dB
- 3 S31
▼ 2700.0 MHz
-2.87 dB
- 4 S32
▼ 694.0 MHz
-3.45 dB
- 5 S32
▼ 800.0 MHz
-3.14 dB
- 6 S32
▼ 2700.0 MHz
-3.25 dB

Isolation:



- 1 S21
▼ 694.0 MHz
-33.49 dB
- 2 S21
▼ 2700.0 MHz
-33.53 dB