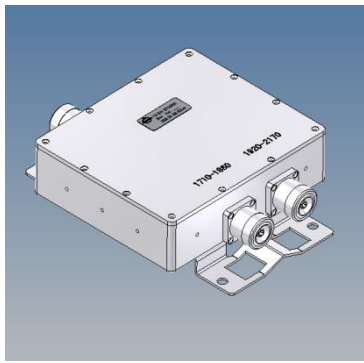
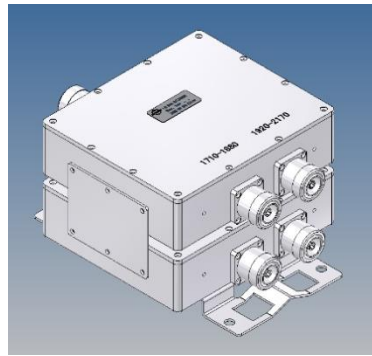


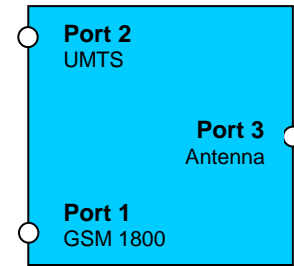
Diplexer GSM 1800 / UMTS



Single Unit



Double Unit



block diagram

Electrical characteristics

Part number	BN 572664	BN 572665	BN 572666	BN 572667
Version	single		double	
Frequency range Port 1 Port 2	1710 – 1880 MHz (GSM1800) 1920 – 2170 MHz (UMTS)			
Insertion loss Port 1 → Port 3 Port 2 → Port 3	≤ 0.35 dB ≤ 0.45 dB			
VSWR	≤ 1.22			
Isolation	≥ 50 dB			
DC by-pass	Port 2 → Port 3 (unidirectional)	all inputs → output (unidirectional)	all inputs → output (unidirectional)	Port 2 → Port 3 (unidirectional)
	max. 3A per input max. 60V DC (AISG Standard, 2.0, § 6.4)			
Intermodulation products 3 rd order @ 2 x 20 W	≤ -155 dBc typical ≤ -160 dBc			
Surge Protection Port3	3 kA (10/350 µs)			
Impedance	50 Ohm			
Power Rating	250 W (CW) max. per input port			

Mechanical characteristics

Connectors	7-16 female		
Dimensions, approx. (Excluding brackets and connectors)	181 x 52 x 157 mm (Width x Height x Depth)	181 x 112 x 157 mm (Width x Height x Depth)	
Weight, approx.	3.0 kg	6.0 kg	
Wall / Mast mounting	Part of delivery		

Environmental conditions

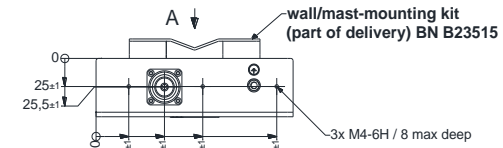
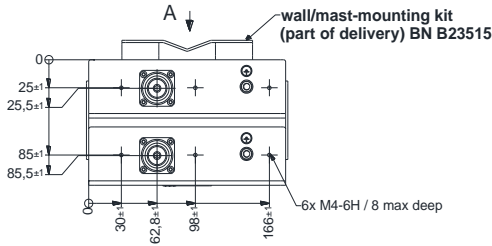
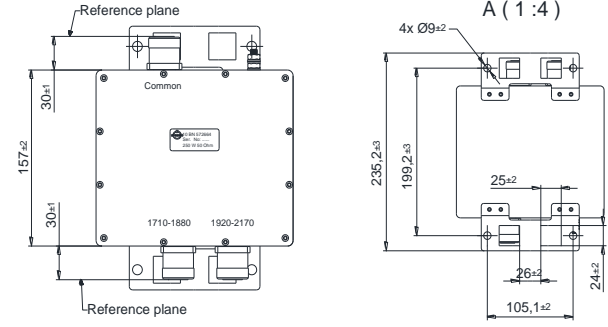
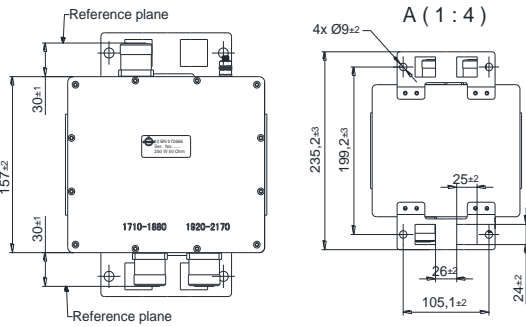
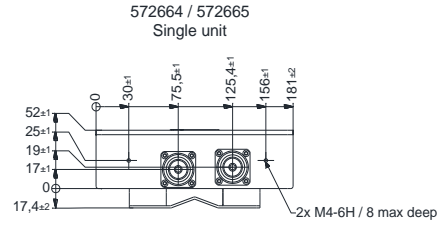
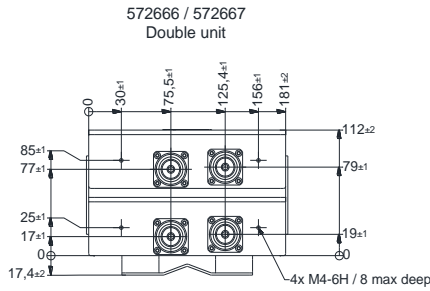
Class. of environmental conditions	ETSI EN 300019-1-1 Class 1.2 ETSI EN 300019-1-2 Class 2.3 ETSI EN 300019-1-4 Class 4.1E
Degree of protection	IP 65 (Outdoor)
Operation Ambient temperature range	-40 °C to +60 °C
Storage Ambient temperature range	-40 °C to +85 °C
Relative humidity, max.	95% (non-condensing)

SPINNER GmbH
 This document is proprietary to us.
 All rights reserved. Any use, transfer, or reproduction of this document
 or the know-how contained therein requires our express consent.

Template TD-00002Y

Diplexer GSM 1800 / UMTS

Outline (all dimensions in millimeter)



Standard:

7-16 female (50 ohms); CECC 22190, IEC 61169-4

modifications reserved

SPINNER GmbH
This document is proprietary to us.
All rights reserved. Any use, transfer, or reproduction of this document
or the know-how contained therein requires our express consent.

Template TD-00002Y