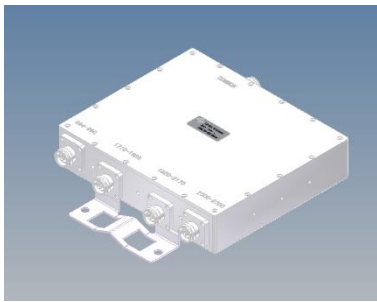
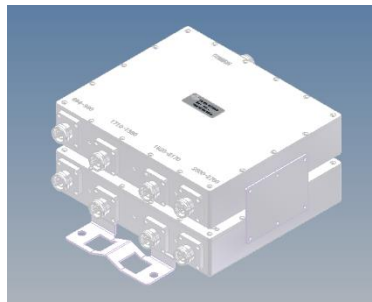


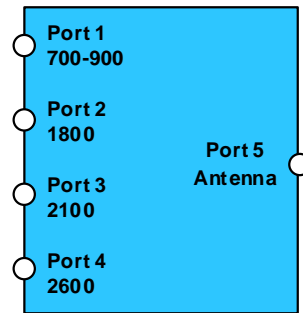
# Quadruplexer 700 – 900 / 1800 / 2100 / 2600



single unit



double unit



block diagram

## Electrical characteristics

| Part number   | BN 572642  | BN 572643 |
|---|--|-----------|
| Version   | single   | double    |
| Frequency range                                       |  |           |
| Port 1  | 694 – 960 MHz  |           |
| Port 2  | 1710 – 1880 MHz  |           |
| Port 3  | 1920 – 2170 MHz  |           |
| Port 4  | 2500 – 2700 MHz  |           |
| Insertion loss  |  |           |
| Port 1 → Port 5                                       | ≤ 0.2 dB   |           |
| Port 2 → Port 5                                       | ≤ 0.4 dB   |           |
| Port 3 → Port 5                                       | ≤ 0.5 dB   |           |
| Port 4 → Port 5                                       | ≤ 0.3 dB   |           |
| Isolation   | ≥ 50 dB  |           |
| VSWR  | ≤ 1.25   |           |
| Power rating  | ≤ 250 W avg. per input port<br>(maximum combined power: 500W avg.)                     |           |
| DC by-pass  | all inputs → output (unidirectional)<br>3A Max. / AISG Signal (2.176 MHz) per AISG 2.0 |           |
| Lightning protection                                  | 3 kA (10/350 µs pulse)   |           |
| Passive intermodulation (IM3),<br>3rd order @ 2 x 20W | -155 dBc max.  |           |
| Impedance   | 50 Ohm   |           |

## Mechanical characteristics

|  |   |  |
|--|---|--|
| Connectors   | 4.3-10 female   |  |
| Dimensions, approx.<br>(Excluding brackets and connectors) | 225.3 mm x 49 mm x 193.5 mm<br>(Width x Height x Depth) | 225.3 mm x 109 mm x 193.5 mm<br>(Width x Height x Depth) |
| Weight, approx.  | 4.0 kg  | 9.0 kg   |
| Color  | Gray (RAL 7047)   |  |
| Wall / Mast mounting (optional)                            | Part of delivery  |  |

## Environmental conditions

|                                     |   |
|-------------------------------------|---|
| Class. of environmental conditions  | ETSI EN 300019-1-1 Class 1.2<br>ETSI EN 300019-1-2 Class 2.3<br>ETSI EN 300019-1-4 Class 4.1E |
| Degree of protection                | IP65  |
| Operation Ambient temperature range | -40 °C to +65 °C  |
| Storage Ambient temperature range   | -40 °C to +85 °C  |
| Relative humidity, max.             | 95% (non-condensing)  |

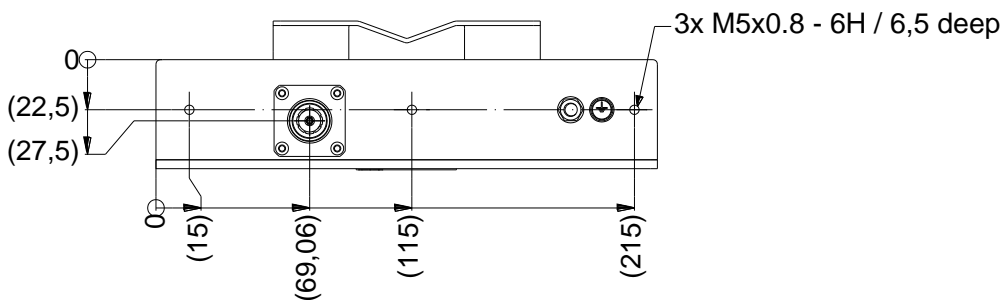
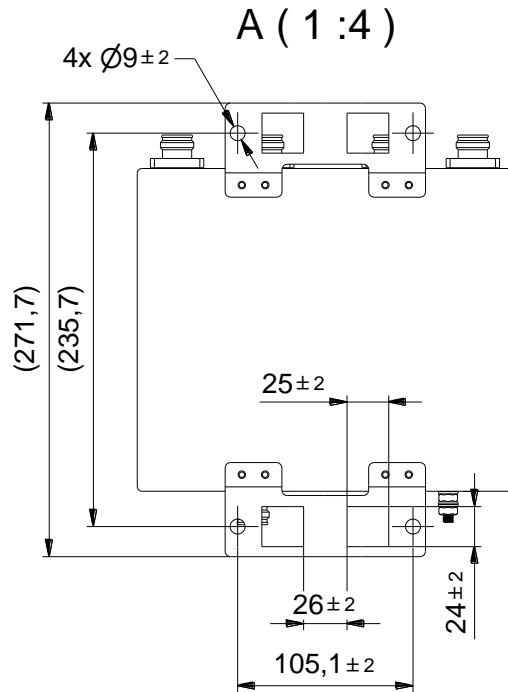
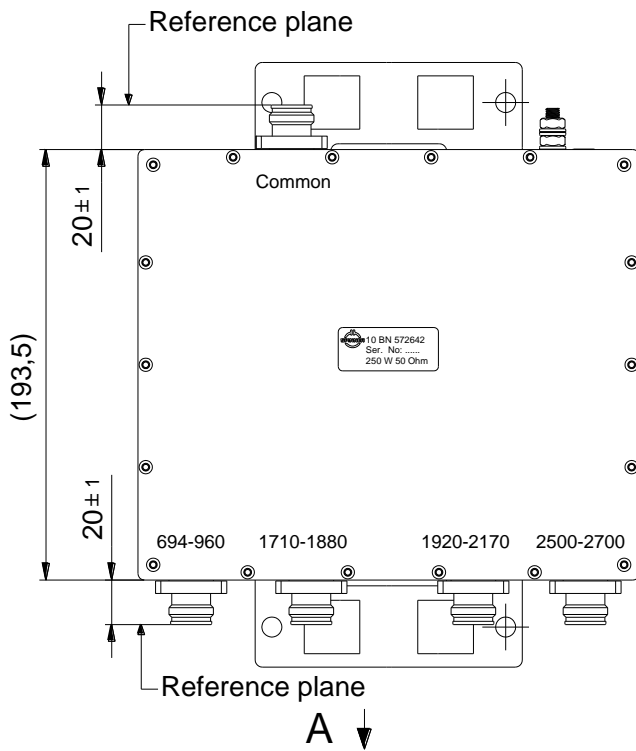
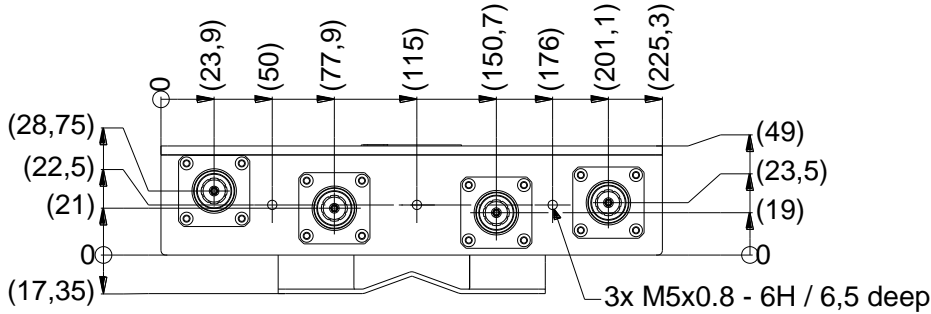
SPINNER GmbH  
This document is proprietary to us.  
All rights reserved. Any use, transfer, or reproduction of this document  
or the know-how contained therein requires our express consent.

Template TD-00002Y

# Quadruplexer 700 – 900 / 1800 / 2100 / 2600

Outline (all dimensions in millimeter)

**BN 572642**



Standard:

4.3-10 female (50 ohms): IEC 61169-54;

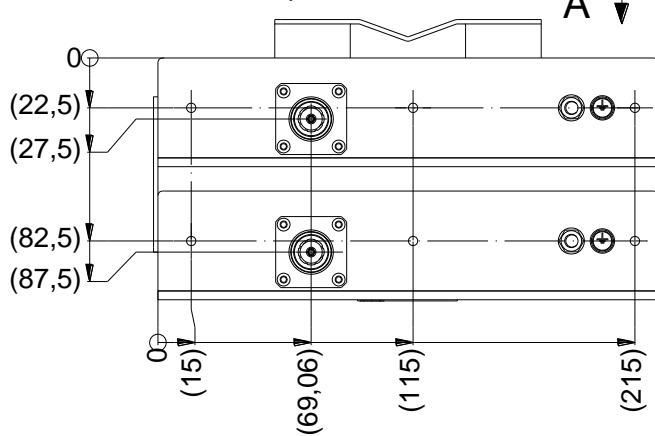
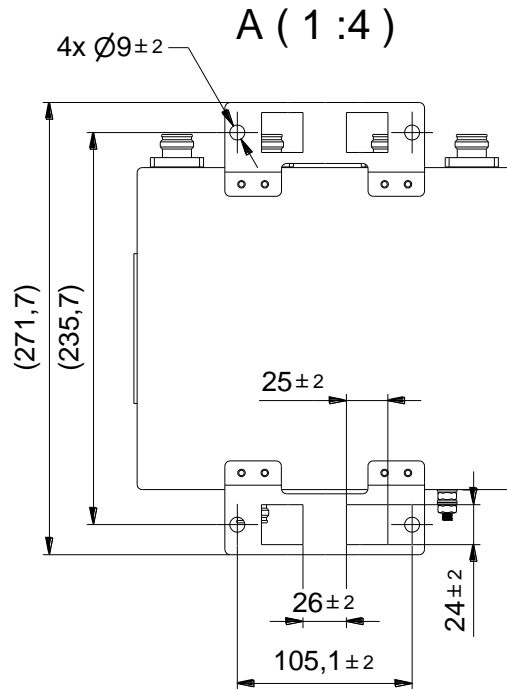
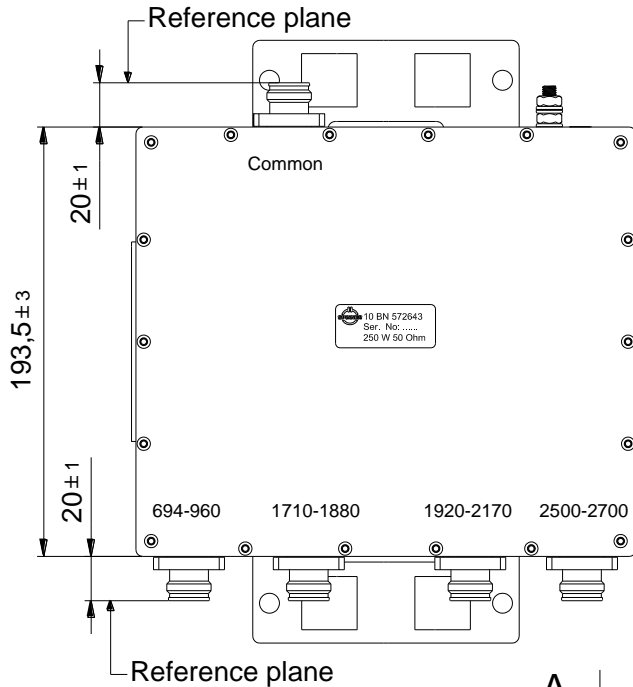
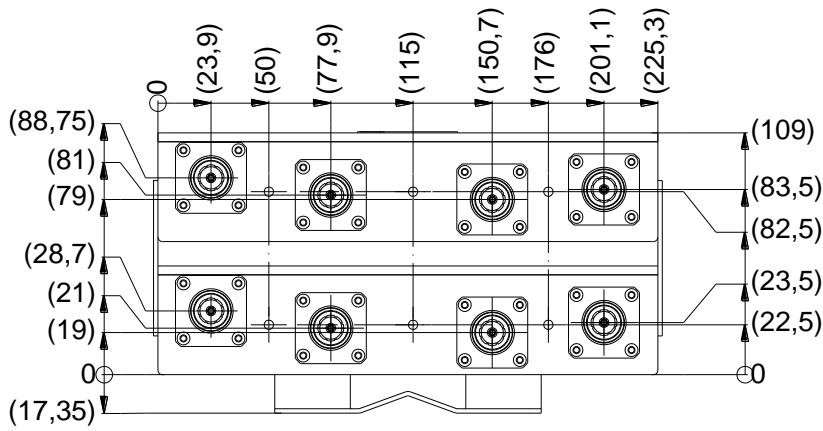
modifications reserved!

SPINNER GmbH  
This document is proprietary to us.  
All rights reserved. Any use, transfer, or reproduction of this document  
or the know-how contained therein requires our express consent.

Template TD-00002Y

Quadruplexer 700 – 900 / 1800 / 2100 / 2600

BN 572643



Standard:  
4.3-10 female (50 ohms): IEC 61169-54;

modifications reserved!

SPINNER GmbH  
This document is proprietary to us.  
All rights reserved. Any use, transfer, or reproduction of this document  
or the know-how contained therein requires our express consent.

Template TD-00002Y