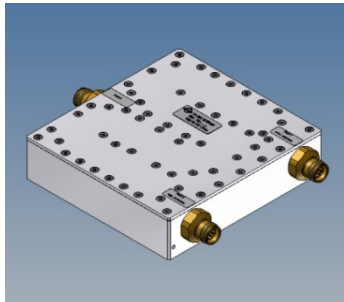
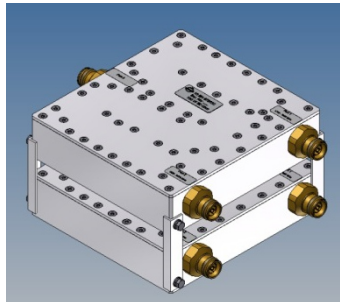


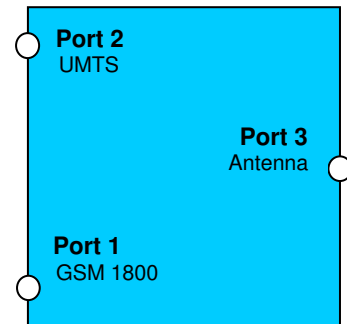
Diplexer GSM 1800 / UMTS



Single Unit

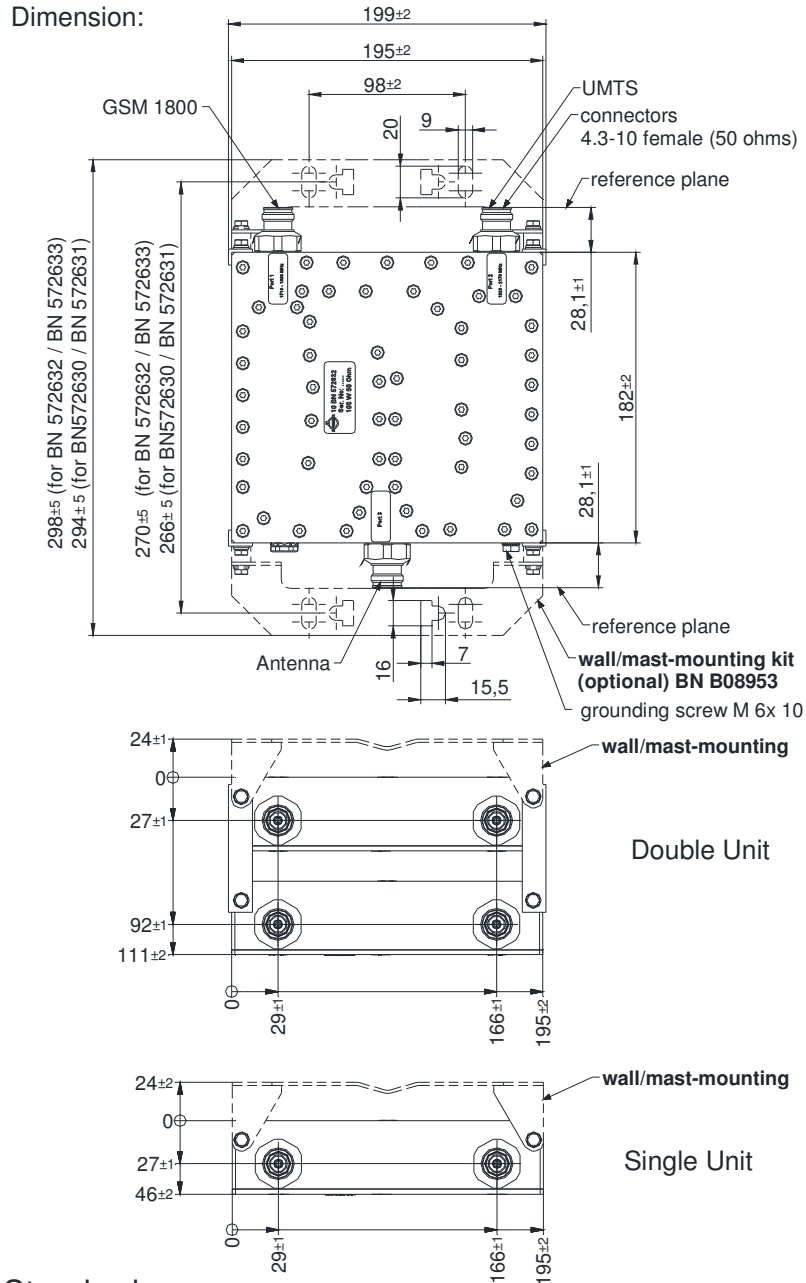


Double Unit



Block Diagram

Part number	BN 572630	BN572632	BN572631	BN 572633
Version	single	double	single	double
Connectors	4.3-10 female (50 Ohms)			
Frequency range	Port 1 Port 2	1710 - 1880 MHz (GSM1800) 1920 – 2170 MHz (UMTS)		
Insertion loss	Port 1 → Port 3 Port 2 → Port 3	≤ 0.35 dB ≤ 0.45 dB		
Isolation	Port 1 ↔ Port 2	≥ 50 dB		
VSWR	≤ 1.22			
Power rating	≤ 240 W (CW) per port			
IM – value 3rd order @ 2 x 20W	≤ -155 dBc typical: ≤ -160 dBc			
DC-by-pass	to all ports (max. 1A per input max. 60V DC(AISG Standard, 2.0, § 6.4))		Port 2 → Port 3 (max. 1A per input max. 60V DC(AISG Standard, 2.0, § 6.4))	
Surge Protection	Port3	3 kA (10/350 μs)		
Degree of protection	IP 65			
Environmental conditions	ETSI EN 300019-1-1 Class 1.2 ETSI EN 300019-1-2 Class 2.3 ETSI EN 300019-1-4 Class 4.1E			
Weight	2.8 kg	5.5 kg	2.8 kg	5.5 kg
Wall / Mast mounting	to be ordered separately under BN B08953			
Temperature range	-25 °C – +65 °C			



Standard:

4.3-10 female (50 ohms): IEC 61169-54

modifications reserved

Measurements:

