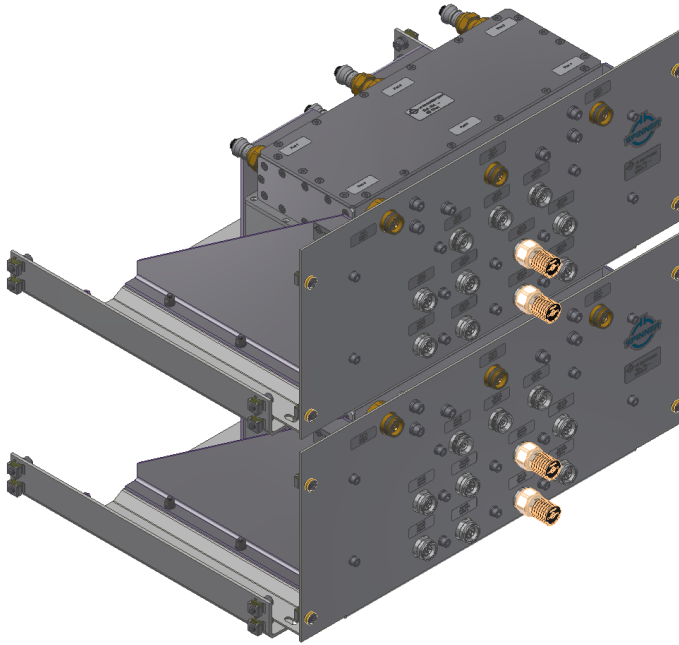
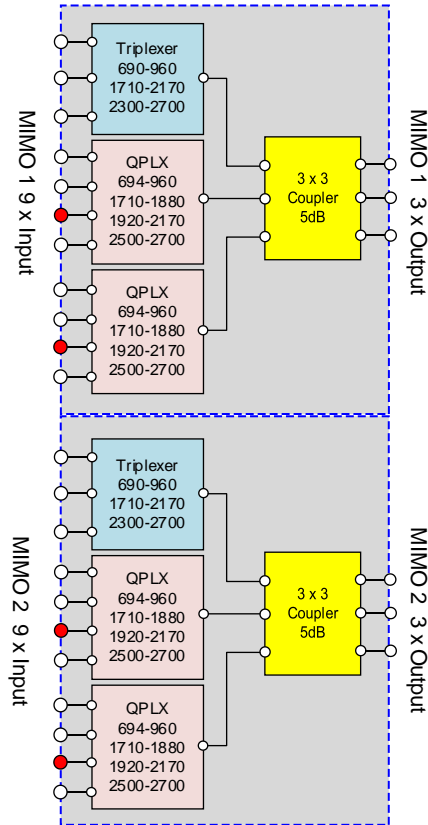


Multi-band Combining System

with 6 output ports



Picture not binding



Block diagram

Electrical characteristics

Part number	BN 570319 (BN 5701CL Version A)
Input : output	18 : 6
Frequency range	
Band 1	694 - 960 MHz
Band 2	1710 - 2170 MHz
Band 3	1710 - 1880 MHz
Band 4	2500 - 2700 MHz
Insertion loss (* splitting losses)	≤ 0.8 dB + 5.0 dB ± 0.8 dB*
Impedance	50 Ohm
Isolation (Interband):	50 dB min
Isolation (Intraband):	≥ 30dB
Passive intermodulation (IM3), 3rd order @ 2 x 20W	-155 dBc max. / -160 dBc typ.
VSWR	≤ 1.4 (typ. 1.25)
Power Rating	100 W per input port

Mechanical characteristics

Connectors	4.3-10 female
Dimensions, approx. (W x H x D)	490 x 444 x 405 mm
Weight, approx.	42 kg
Wall / Mast mounting	Wall mounting or 19" Rack mounting included

This document is proprietary to us. All rights reserved. Any use, transfer, or reproduction of this document or the know-how contained therein requires our express consent.

Template TD-00002Y

Multi-band Combining System

with 6 output ports

Environmental conditions

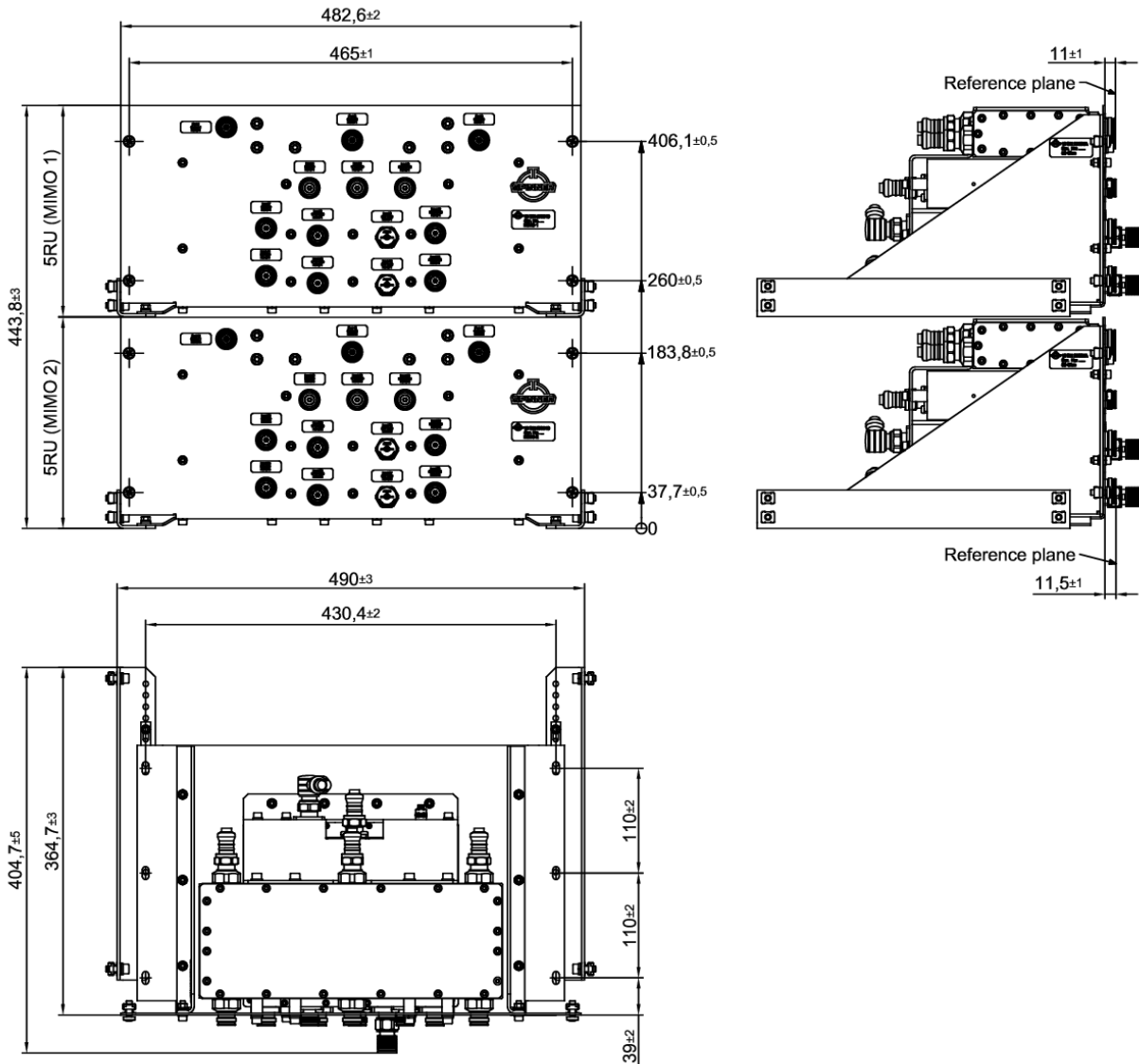
Class. of environmental conditions	ETSI EN 300019-1-1 Class 1.2 ETSI EN 300019-1-2 Class 2.3 ETSI EN 300019-1-3 Class 3.3
Degree of protection	indoor use (all components IP65)
Operation Ambient temperature range	-40 °C to +55 °C
Storage Ambient temperature range	-40 °C to +85 °C
Relative humidity, max.	95% (non-condensing)

Scope of delivery and accessories

Scope of delivery	Test report, installation instructions
-------------------	--

Unused input ports must be terminated with 5W standard load 531726 (to be ordered separately).

Outline (all dimensions in millimeter)



Standard:
4.3-10 female (50 ohms): IEC 61169-54

Modifications reserved!