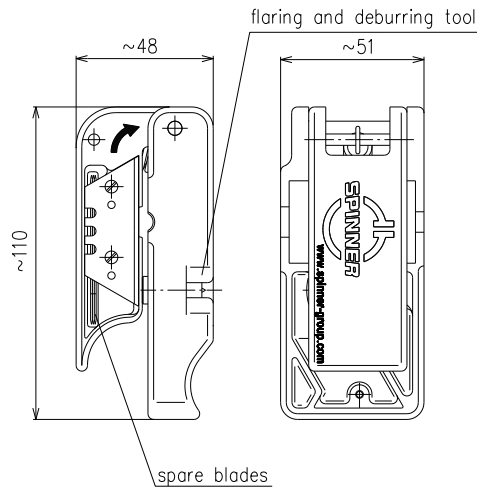


TRIMMING TOOL FOR LF 1/4"-50



<b>Part number</b>	<b>BN 54 13 20</b>	
Cable type	LF 1/4"-50	
Connector type	CAF®	
Material		
Upper and lower part	polycarbonate with 20% GF	
Blades	steel age hardened	
Springs and pins	stainless steel	
Colour	red (similar RAL 3000)	
Cable compatibility	RFS	LCF 14-50, CF 14-75
Installation instructions	M30573	
Weight	approx. 0.2 kg	
Included in delivery	spare blades, installation instructions	