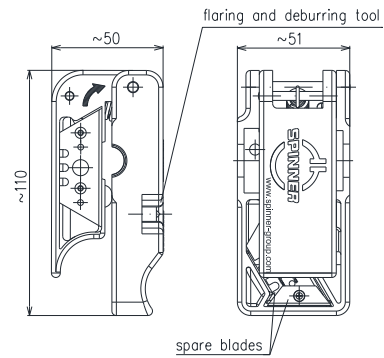


Trimming Tool LF 1/2"-50 || BN 541317



all dimensions in millimeter

Cable type	LF 1/2"-50	
Connector type	CAF®	
Material		
Plastic parts	Polycarbonate with 20% GF	
Blades	stainless steel / no finish	
Spring and pins	stainless steel / no finish	
Colour	blue	
Cable compatibility	RFS	LCF 12-50, LCF 12-50L
Installation instructions / Product manual	M30344	
Weight, approx.	200 g	
Scope of delivery	Spare blades, installation instructions	

SPINNER GmbH. This document is proprietary to us. All rights reserved. Any use, transfer, or reproduction of this document or the know-how contained therein requires our express consent.