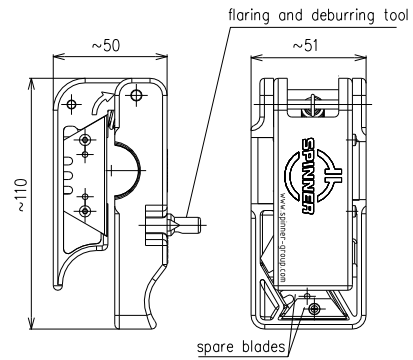


Trimming Tool LF 7/8"-50 || BN 541301



all dimensions in millimeter

Cable type	LF 7/8"-50	
Connector type	MultiFit	
Material		
Plastic parts	Polycarbonate with 20% GF	
Blades	stainless steel / no finish	
Spring and pins	stainless steel / no finish	
Colour	blue	
Cable compatibility	SPINNER Acome Andrew Draka Eupen Hansen Hengxin Leoni LS Cable RFS	SPINNERFlex™ LF7/8"-50 HPL50-7/8 ALU, HPL50-7/8 F, HPL50-7/8 LA AL5-50, AVA5-50, VXL5-50 RFA 7/8"-50, RFA 7/8"-50 AL, RFE 7/8"-50 EA5-50 Aluminium, EC5-50-A, EC5-50-HF RF 50 7/8" HCTAY-50-22 FlexLine 7/8" R Low Los LHF 22D, HFC 22D LCF 78-50 A, LCF 78-50 L, UCF 78-50 A, UCF 78-50 L
Installation instructions / Product manual	M32111	
Weight, approx.	230 g	
Scope of delivery	Spare blades, installation instructions	

This document is proprietary to us. All rights reserved. Any use, transfer, or reproduction of this document or the know-how contained therein requires our express consent.