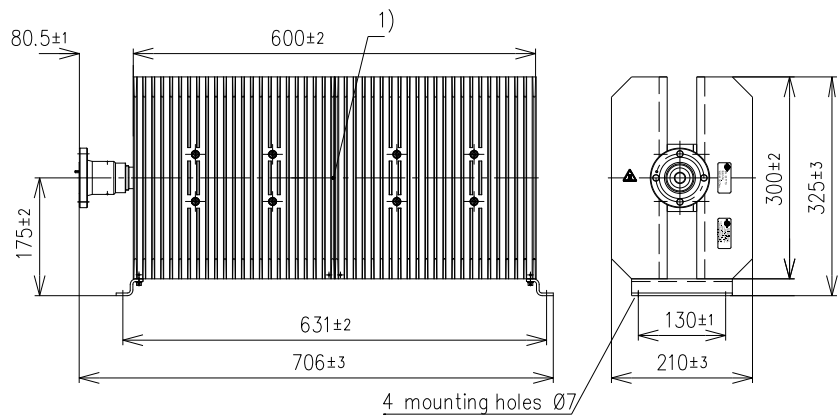


COAXIAL LOAD



Part number	BN 53 77 70	
Connector type	1 5/8" EIA	
Power rating	2000 Watt max. 2)	
Impedance	50 Ω	
Frequency range	0 - 860 MHz	
VSWR	≤ 1.06	
Material and surface		
Inner conductor	copper alloy	silver-plated
Outer conductor	copper alloy	silver-plated
Housing	aluminium alloy	
Other metal parts	aluminium alloy stainless steel copper alloy	bright nickel-plated
Insulation	PTFE	
Heat sink	aluminium alloy	anodised (black)
Degree of protection	IP40	
Standards	IEC 60339	
Ambient temperature	-40 °C - +40 °C full power 2)	
Weight	approx. 32 kg	
Operating position	Cooling fins vertically	

1) Measuring point for surface temperature, see graph

2) The maximum power handling is reduced with rising ambient temperatures as follows

COAXIAL LOAD

