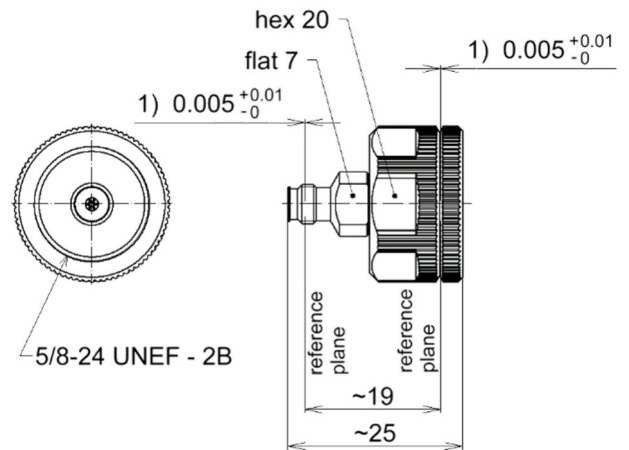


Inter-series Adapter || BN 535121



1) Pin depth (inner conductor recessed)

all dimensions in millimeter

**Radio frequency characteristics**

Interface type	1.35 mm socket per IEEE Std 287 / 1.85 mm socket per IEC 61169-32, ruggedized by enlarged thread
Frequency range	DC to 70 GHz
Impedance	50 Ω
Return loss, min.	28 dB @ DC to 20 GHz 20 dB @ 20 to 50 GHz 17 dB @ 50 to 70 GHz

**Mechanical characteristics**

Center conductor material / surface finish	beryllium copper, age hardened / gold-plated
Outer conductor material / surface finish	beryllium copper / gold-plated
Weight, approx.	0.03 kg
Marking	laser engraving

**Environmental conditions**

<b>Operation</b>	
Ambient temperature range	+18 to +28°C
<b>Storage</b>	
Ambient temperature range	-40 to +70°C
Relative humidity	95% (non-condensing)

**Scope of delivery and accessories**

Scope of delivery	protective caps
-------------------	-----------------

This document is proprietary to us. All rights reserved. Any use, transfer, or reproduction of this document or the know-how contained therein requires our express consent.

SPINNER GmbH  
 Template TD-00002Y