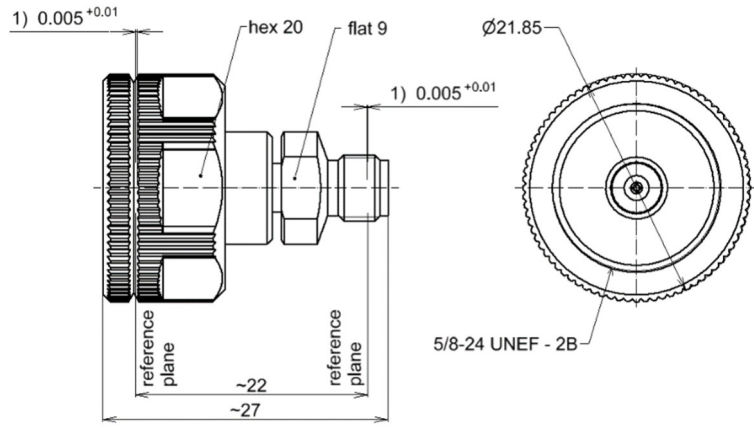


Inter-Series Adapter || BN 535104



1) Pin depth (inner conductor recessed)

all dimensions in millimeter

**Radio frequency characteristics**

|                   |                                                                                                   |
|-------------------|---------------------------------------------------------------------------------------------------|
| Interface type    | 3.5 mm socket per IEC 60169-23 /<br>2.4 mm socket per IEEE Std 287, ruggedized by enlarged thread |
| Frequency range   | DC to 33 GHz                                                                                      |
| Impedance         | 50 Ω                                                                                              |
| Return loss, min. | 33 dB @ DC to 4 GHz<br>30 dB @ 4 to 18 GHz<br>26 dB @ 18 to 26.5 GHz<br>23 dB @ 26.5 to 33 GHz    |

**Mechanical characteristics**

|                                           |                                              |
|-------------------------------------------|----------------------------------------------|
| Inner conductor material / surface finish | beryllium copper, age hardened / gold-plated |
| Outer conductor material / surface finish | beryllium copper / gold-plated               |
| Weight, approx.                           | 0.04 kg                                      |
| Marking                                   | laser engraving                              |

**Environmental conditions**

|                           |                      |
|---------------------------|----------------------|
| <b>Operation</b>          |                      |
| Ambient temperature range | +18 to +28°C         |
| <b>Storage</b>            |                      |
| Ambient temperature range | -40 to +70°C         |
| Relative humidity         | 95% (non-condensing) |

**Scope of delivery and accessories**

|                   |                 |
|-------------------|-----------------|
| Scope of delivery | protective caps |
|-------------------|-----------------|

This document is proprietary to us.  
 All rights reserved. Any use, transfer, or reproduction of this document  
 or the know-how contained therein requires our express consent.

SPINNER GmbH  
 All rights reserved. Any use, transfer, or reproduction of this document  
 or the know-how contained therein requires our express consent.

Template TD-00002Y