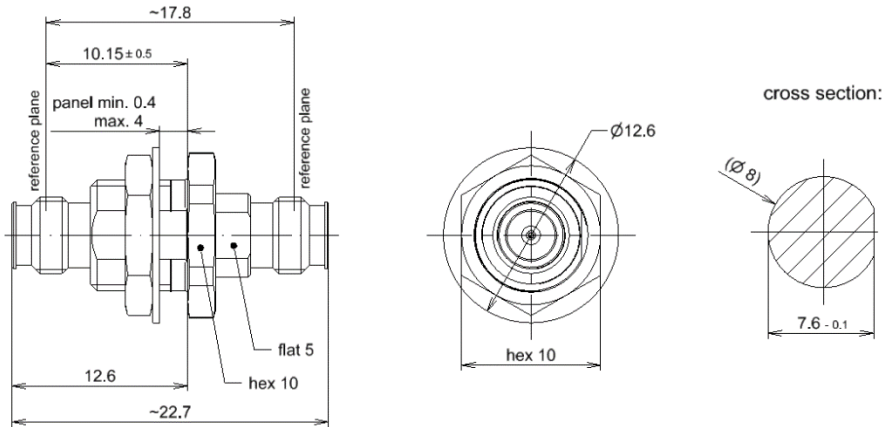


Adapter 1.35 mm Socket – Socket Panel Mount || BN 534990



all dimensions in millimeter

Radio frequency characteristics

Interface type	1.35 mm socket / socket per IEEE Std 287
Frequency range	DC to 90 GHz
Impedance	50 Ω
Return loss, min.	24 dB @ DC to 26.5 GHz 18 dB @ 26.5 to 70 GHz 15 dB @ 70 to 90 GHz

Mechanical characteristics

Center conductor material / surface finish	CuBe age hardened / gold-plated
Outer conductor material / surface finish	copper alloy / CuSnZn-plated
Insulation	PS
Other metallic parts / surface finish	copper alloy / nickel-plated
Weight, approx.	0.01 kg
Marking	laser engraving

Environmental conditions

Operating temperature range	-40 to +70°C
-----------------------------	--------------

SPINNER GmbH
 This document is proprietary to us.
 All rights reserved. Any use, transfer, or reproduction of this document
 or the know-how contained therein requires our express consent.