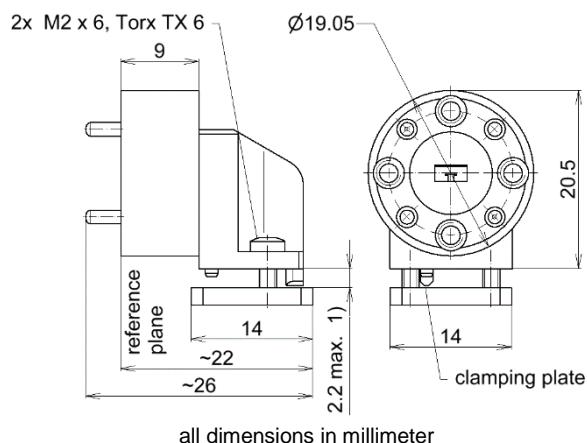


PCB connector; R 620; "SPINNER EasyLaunch" | BN 533413C0001



Radio frequency characteristics

Waveguide interface aperture	R 620 per IEC 60153-2 (WR 15 per EIA RS-261)
Waveguide interface mechanics	precision split-block interface with anti-cocking rim compatible to M3922/67-008 (UG-385/U) type flanges
PCB interface	transmission lines according to drawings below
Frequency range	50 to 75 GHz
Characteristic impedance	50 Ω
Return loss, typ.	15 dB

Mechanical characteristics

Inner contact PCB side material / surface coating	CuBe age hardened / gold-plated
Dielectric material	PEI
Case material / surface coating	copper alloy / gold-plated
Other metallic parts / surface coating	copper alloy / nickel-plated stainless steel
Weight, approx.	40 g
Installation type	solderless
Marking	laser engraving
PCB thickness 1)	max. 2.2 mm

1) permissible max. PCB thickness expandable with longer screws

Environmental conditions

<b>Operation</b>	
Ambient temperature range	-40 to +85°C
Relative humidity, max.	95% (non-condensing)

Scope of delivery and accessories

Scope of delivery	protective cap
Accessory (optional)	panel fixture <span style="float: right;">BN B25702</span>

SPINNER GmbH  
 This document is proprietary to us.  
 All rights reserved. Any use, transfer, or reproduction of this document  
 or the know-how contained therein requires our express consent.

Template TD-00002.dotx | Issue AB

PCB connector; R 620; "SPINNER *EasyLaunch*" | BN 533413C0001**Applicable documents**

PCB layout	62424
Mechanical PCB design	D04825-0E
Installation instruction	M36456