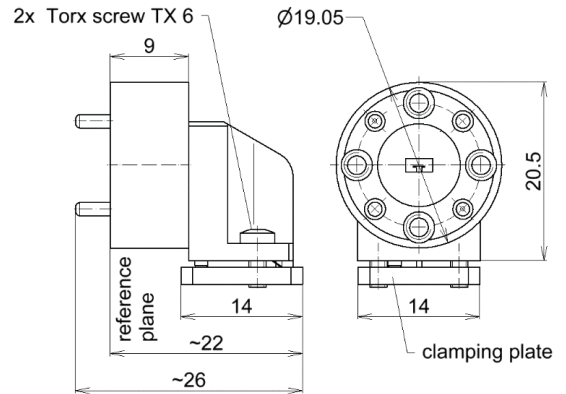


PCB-Launch Connector “SPINNER EasyLaunch” || BN 533412



all dimensions in millimeter

Technical characteristics

Waveguide interface aperture	R 740 per IEC 60153-2 (WR 12 per EIA RS-261)
Waveguide interface connector	precision split-block interface with anti-cocking rim compatible to M3922/67-009 (UG-387/U) type flanges
PCB interface	transmission lines according to drawings below
Characteristic impedance	50 Ω
Frequency range	60 to 90 GHz
Return loss, typ.	12 dB
Center contact PCB side material / surface finish	CuBe age hardened / gold-plated
Insulation	PEI
Case material / surface finish	copper alloy / gold-plated
Other metallic parts / surface finish	copper alloy / nickel-plated
Installation type	solderless

Environmental conditions

Operation	
Ambient temperature range	-40 to +85°C

Applicable documents

PCB-Layouts	62424
Mechanical PCB-Design	D04825-0E
Installation instruction	M36272

Scope of delivery and accessories

Scope of delivery	protective cap
Accessory (optional)	panel fixture BN B25702

SPINNER GmbH
 This document is proprietary to us.
 All rights reserved. Any use, transfer, or reproduction of this document
 or the know-how contained therein requires our express consent.

Template TD-00002Y