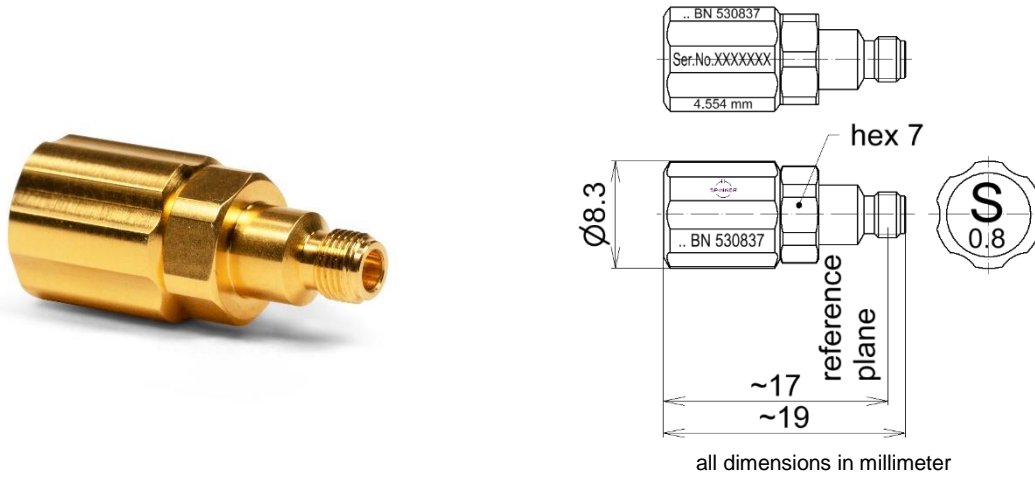


Short circuit termination; 0.8 mm socket | BN 530837



Radio frequency characteristics

Interface type	0.8 mm socket metrology grade per IEEE Std 287
Frequency range	DC to 165 GHz
Characteristic impedance	50 Ω
Return loss, max.	0.5 dB
Repeatability, min.	45 dB
Reflection phase accuracy, max.	2.5 deg @ DC to 40 GHz
	3.5 deg @ 40 to 90 GHz
	4.5 deg @ 90 to 120 GHz
	5.5 deg @ 120 to 150 GHz
	6.5 deg @ 150 to 165 GHz
Offset length, nom.	4.554 mm

Mechanical characteristics

Inner conductor material / surface coating	CuBe age hardened / gold-plated
Outer conductor material / surface coating	CuBe / gold-plated copper alloy / gold-plated
Other parts material / surface coating	copper alloy / gold-plated
Weight, approx.	5 g
Marking	laser engraving

Environmental conditions

Operation	
Ambient temperature range	+18 to +28°C
Relative humidity, max.	95% (non-condensing)
Storage	
Ambient temperature range	-40 to +70°C
Relative humidity, max.	95% (non-condensing)

SPINNER GmbH
 This document is proprietary to us.
 All rights reserved. Any use, transfer, or reproduction of this document
 or the know-how contained therein requires our express consent.

Template TD-00261.dotx

Short circuit termination; 0.8 mm socket | BN 530837

Scope of delivery and accessories

Scope of delivery	protective tube (38704A), certificate of calibration, calibration data, handling instructions)
-------------------	---

Applicable documents

Handling instructions	M36081
-----------------------	--------

Calibration data

Calibration data in formats for the common VNAs are included. It includes individual calibration coefficients to achieve the best possible performance.

The specifications for opens and shorts are given as allowed deviation from the nominal model.