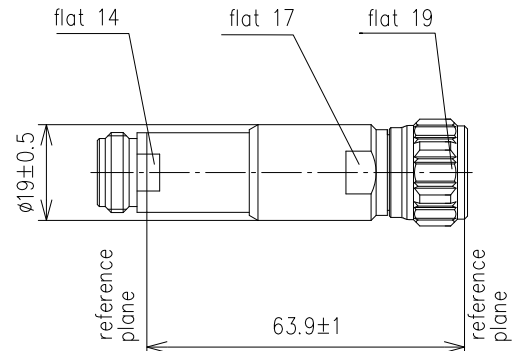


COAXIAL ATTENUATOR



<b>Part number</b>	<b>BN 52 86 26</b>		
Connector type	N plug / N socket		
Power rating	5 Watt max. 1)		
Impedance	50 $\Omega$		
Frequency range	0 - 4 GHz	4 - 8 GHz	8 - 12.4 GHz
VSWR	$\leq 1.15$	$\leq 1.27$	$\leq 1.44$
Attenuation	10 $\pm 0.3$ dB		10 $\pm 0.5$ dB
Material and surface			
Inner conductor	CuBe age hardened	silver-plated	
Outer conductor	copper alloy	silver-plated	
Other metal parts	copper alloy	bright nickel-plated	
Insulation	PS		
Sealing	silicone rubber		
Degree of protection	IP40		
Standards	IEC 61169-16		
Ambient temperature	-40 $^{\circ}\text{C}$ - +25 $^{\circ}\text{C}$ full power 1)		
Weight	approx. 0.11 kg		
Operation position	any		

1) The maximum power handling is reduced with rising ambient temperatures as follows

