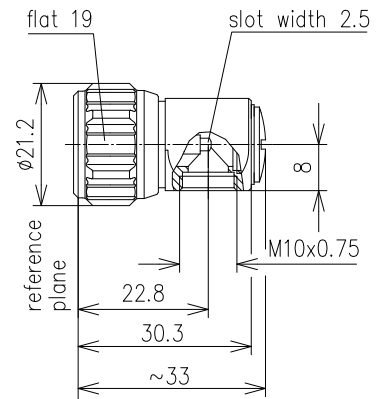


CONNECTOR HEAD TYPE N



<b>Part number</b>	<b>BN 45 09 40</b>			
Connector type	N plug			
Version	straight and right angle mounting			
Impedance	50 Ω			
Material and surface				
Inner conductor	copper alloy	gold-plated		
Outer conductor	copper alloy	silver-plated		
Other metal parts	copper alloy	bright nickel-plated		
Insulation	PTFE			
Sealing	silicone rubber, PUR			
Degree of protection	IP68 (mated)			
Standards	IEC 61169-16			
Weight	approx. 0.04 kg			
Cable entry compatibility				
Part number	BN 41 94 00	BN 42 01 00	BN 98 29 00	BN 98 29 11
Cable compatibility	RG 55 B/U RG 58 C/U RG 142 B/U RG 223/U RG400/U	RG 213/U	RG 214/U RG 216/U RG 393/U	RG 214/U RG393/U
Version	clamped	clamped	clamped	crimped