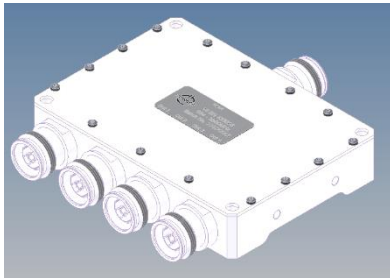
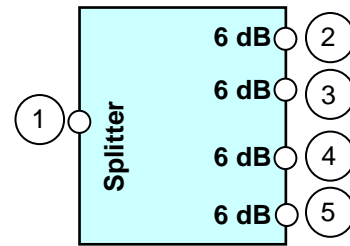


Stripline 4-Way-Splitter



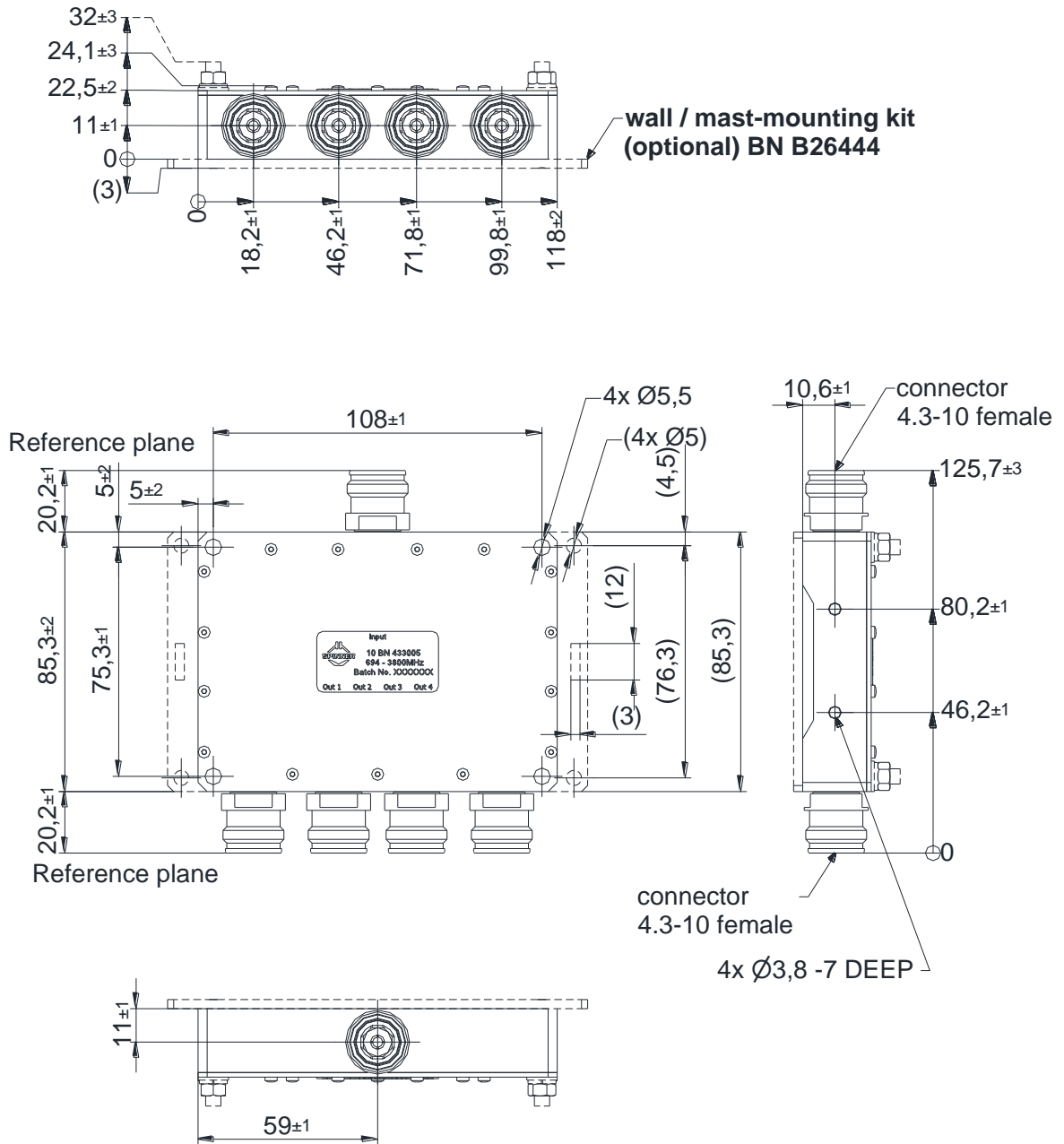
not binding



Block Diagram

Part number	BN 433005	
Splitting ratio	1 : 0.25 : 0.25 : 0.25 : 0.25	
Connectors	4.3-10 socket (50 Ohms)	
Frequency range	694 – 3800 MHz	
Insertion loss	694 – 2700 MHz	6.2 dB ± 0.6 dB (including splitting losses)
	2700 – 3800 MHz	6.2 dB ± 0.7 dB (including splitting losses)
VSWR	694 – 2700 MHz	≤ 1.3 (Port 1)
	2700 – 3800 MHz	≤ 1.4 (Port 1)
Phase difference	≤ 160°	
Power rating	300 W CW	
IM - value 3rd order @ 2 x 20 W	≤ -155 dBc typical ≤ -160 dBc	
DC-by-pass	DC all ports (max. 1A per input max. 60V DC(AISG Standard, 2.0, § 6.4))	
Degree of protection	IP 65 outdoor	
Environmental conditions	ETSI EN 300019-1-1 Class 1.2 ETSI EN 300019-1-2 Class 2.3 ETSI EN 300019-1-4 Class 4.1E	
Weight (excluding mounting kit)	Approx. 0.67 kg	
Color	Grey	
Wall / Mast mounting	to be ordered separately under BN B26444	
Temperature range	-25°C ~ +55°C	
Dimensions (LxWxH) (excluding connectors, mounting kit)	85.3mmx118mmx24.1mm	

Dimensions:



Note:

Technical information see datasheet BN 433005-BE

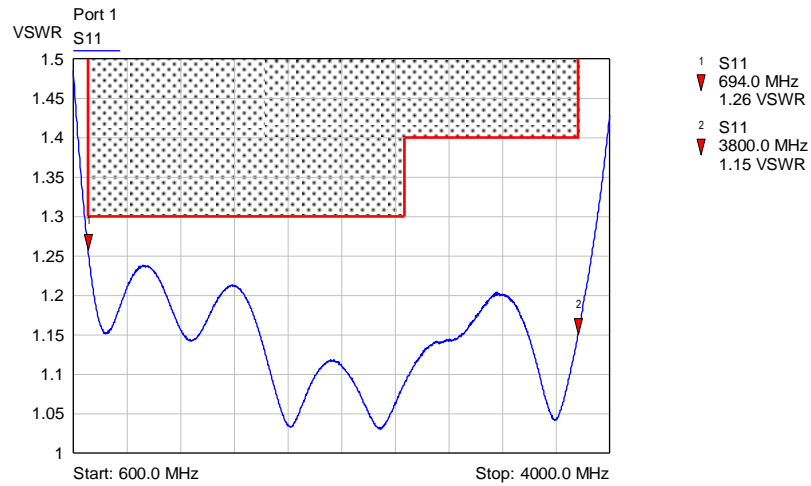
Standard:

4.3-10 female (50 ohms): IEC 61169-54

modifications reserved

Measurements:

VSWR:



Insertion loss:

