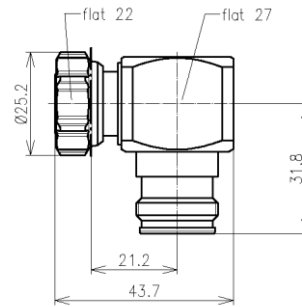


Right Angle Adaptor Plug -Socket 4.3-10 || BN 432055



all dimensions in millimeter

Interface type	4.3-10 plug screw (50 Ω) per IEC 61169-54 4.3-10 socket (50 Ω) per IEC 61169-54
Frequency range	DC to 3.8 GHz
VSWR, max.	1.04 @ DC to 1.0 GHz 1.06 @ 1.0 to 2.7 GHz 1.08 @ 2.7 to 3.8 GHz
Intermodulation (IM3) @ 2x 20W, max.	-166 dBc
Inner conductor material / surface finish	copper alloy / silver plated
Outer conductor material / surface finish	copper alloy / CuSnZn plated
Other metal parts / surface finish	copper alloy / nickel plated
Insulation	PTFE
Sealing	silicone rubber
IP protection level	plug: IP68 per EN 60529 (barrier and mating face sealed) socket: IP68 per EN 60529 (interface connected with appropriate gasket)
Weight, approx.	170 g
Scope of delivery	protective cap (socket)

SPINNER GmbH
 This document is proprietary to us.
 All rights reserved. Any use, transfer, or reproduction of this document
 or the know-how contained therein requires our express consent.

Template TD-00003F