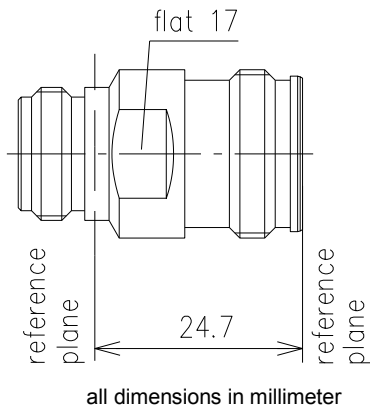


Inter-Series Adapter Type 4.3-10 Socket to N Socket || BN 432010



Interface type	4.3-10 socket (50 Ω) per IEC 61169-54 N socket (50 Ω) per IEC 61169-16
VSWR, max.	1.02 @ DC to 2 GHz 1.04 @ 2 to 3 GHz 1.08 @ 3 to 6 GHz
Frequency range	DC to 6 GHz
Intermodulation (IM3) @ 2 x 20 W, max.	-165 dBc
Inner conductor material / surface finish	copper alloy / silver plated
Outer conductor material / surface finish	copper alloy / CuSnZn plated
Insulation	PTFE
IP protection level	4.3-10 socket: IP68 per EN 60529 (interface connected with appropriate gasket) N socket: IP68 per EN 60529 (interface connected with appropriate gasket)
Weight, approx.	45 g