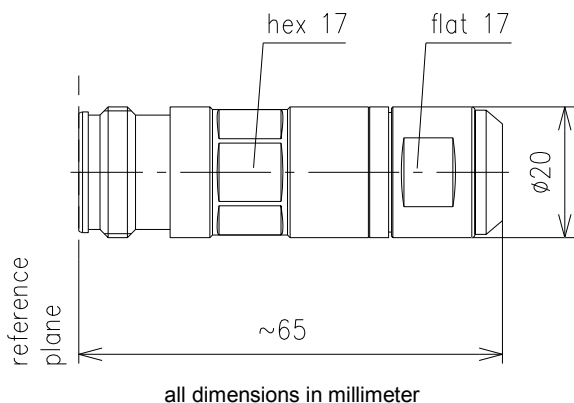


Cable Socket for SF 1/2"-50, Type 4.3-10 || BN 431112



Interface type	4.3-10 socket MultiFit™ (50 Ω) per IEC61169-54	
VSWR, max.	1.02 @ DC to 1 GHz 1.03 @ 1 to 2.7 GHz 1.08 @ 2.7 to 3.8 GHz 1.14 @ 3.8 to 6 GHz	
Frequency range	DC to 6 GHz	
Inner conductor material / surface finish	copper alloy / silver plated	
Outer conductor material / surface finish	copper alloy / CuSnZn plated copper alloy / silver plated	
Other metal parts / surface finish	copper alloy / bright nickel plated	
Insulation	PTFE	
Sealing	silicone rubber silicone rubber	
Degree of protection	IP68 per EN 60529 (interface connected with appropriate gasket)	
Cable compatibility	Spinner Acome Andrew Draka Eupen Hansen Hengxin Leoni LS Cables RFS	SPINNERFlex™ SF1/2"-50 HPL50-1/2SF FSJ4-50B RFF 1/2"-50 EC4-50-HF RF 50 1/2"S HRCAY-50-9 FlexLine 1/2" S HFSC 12D SCF 12-50
Installation instructions	M32106	
Weight, approx.	85 g	
Included in delivery	installation instructions	