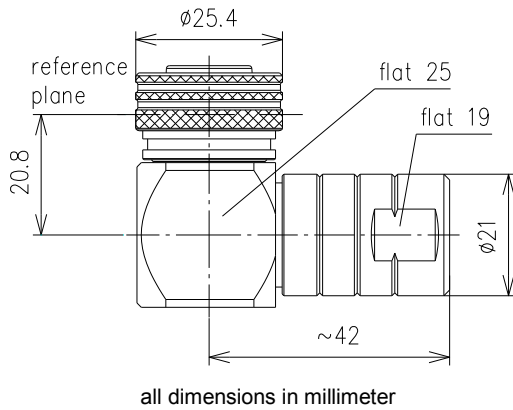


Right Angle Cable Plug for SF 3/8"-50, Type 4.3-10 || 431109



Interface type	4.3-10 plug push-pull (50Ω) per IEC 61169-54
Version	CAF®
VSWR, max.	1.02 @ DC to 1 GHz 1.04 @ 1 to 2.2 GHz 1.06 @ 2.2 to 2.7 GHz 1.10 @ 2.7 to 3.8 GHz
Frequency range	DC to 3.8 GHz
Inner conductor material / surface finish	copper alloy / silver plated
Outer conductor material / surface finish	copper alloy / CuSnZn plated copper alloy / silver plated
Other metal parts / surface finish	copper alloy / bright nickel plated
Insulation	PTFE
Sealing	silicone rubber
IP protection level	IP68 per EN 60529 (barrier and mating face sealed)
Cable compatibility	RFS SCF 38-50
Installation instructions	M30783
Weight, approx.	185 g
Included in delivery	installation instructions