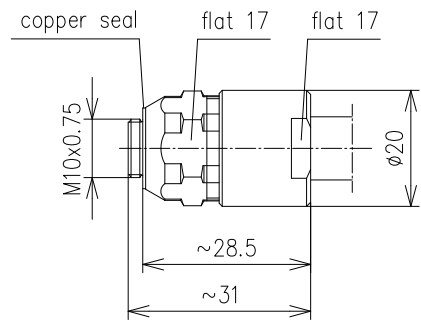


CABLE CLAMP



Part number	BN 42 01 00			
Version	clamped			
Material and surface				
Contact parts	copper alloy	silver-plated		
Other metal parts	copper alloy	bright nickel-plated		
Sealing	EPDM copper	silver-plated		
Degree of protection	IP68 (mated)			
Cable compatibility	RG 213/U			
Installation instructions	M30609			
Weight	approx. 0.034 kg			
Included in delivery	installation instructions			
Connector head compatibility				
Part number	BN 45 09 40	BN 45 09 60	BN 45 09 63	BN 45 09 95
Type	N plug	4,1-9,5 plug	4,1-9,5 socket	7-16 plug