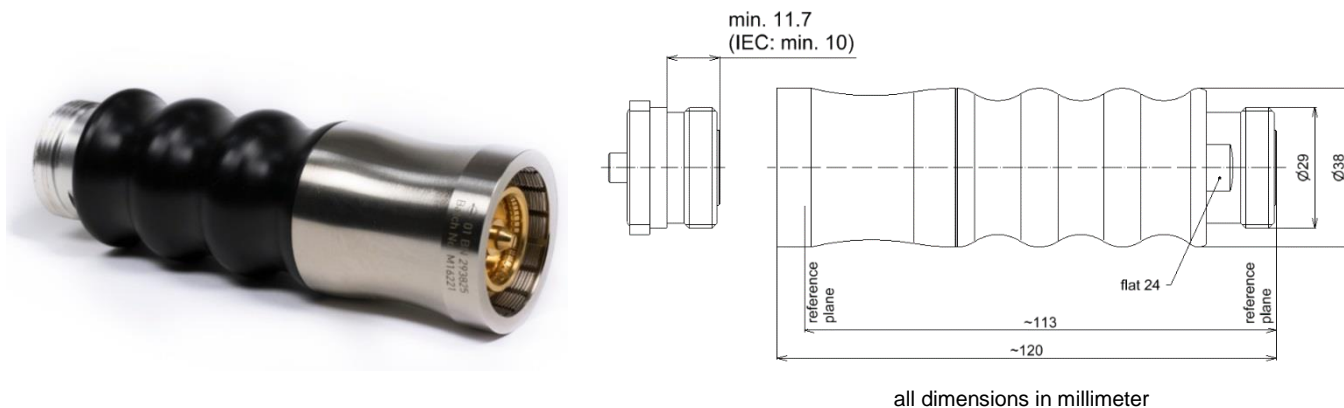


Adaptor Push-Pull Plug - Socket || BN 293825



Radio frequency characteristics

Interface type	7-16 plug / socket per IEC 61169-4 without dimension 10 on plug side
Frequency range	DC to 6 GHz
Impedance	50 Ω
VSWR, max.	1.02 @ DC to 2 GHz 1.06 @ 2 to 6 GHz
Intermodulation (IM3) 2x20 W max.	-165 dBc (for first 5,000 ¹⁾ matings)

Mechanical characteristics

Matings	10,000 ¹⁾	
Center conductor material / surface finish	DUT interface	Rear interface
	CuBe age hardened / gold-plated copper alloy / gold plated	copper alloy / silver-plated
Outer conductor material / surface finish	DUT interface	Rear interface
	CuBe / gold-plated copper alloy / gold plated	copper alloy / silver-plated
Other metallic parts / surface finish	copper alloy / nickel-plated stainless steel	
Insulation	LCP PTFE	
Latching	manual-locking	
Weight, approx.	350 g	

Environmental conditions

Ambient temperature range	+5 to +40 °C (indoor)
Vibration/shock resistance	conforms to ETSI EN 300 019-2-2 (T2.3) and ETSI EN 300 019-2-4

Applicable documents

Handling instructions	M36377
-----------------------	--------

1) In order to ensure best possible measurement result, cleaning has to be assessed and executed by professional staff on a regular basis.