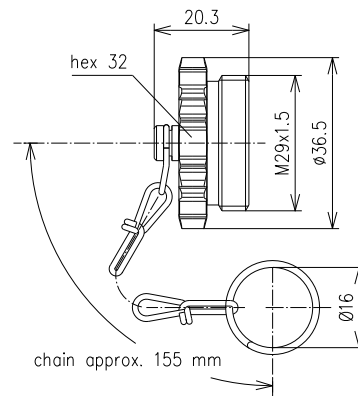


Protective cap for 7-16 plug | BN 239002



All dimensions in millimeter

Suitable Interface type	7-16 plug (50 Ω) per IEC 61169-4
Cap material / surface finish	copper alloy / nickel plated
Other metal parts / surface finish	stainless steel / no finish
IP protection level	IP68 per EN 60529 (interface connected with appropriate gasket)
Weight, approx.	70 g

SPINNER GmbH  
 This document is proprietary to us.  
 All rights reserved. Any use, transfer, or reproduction of this document  
 or the know-how contained therein requires our express consent.