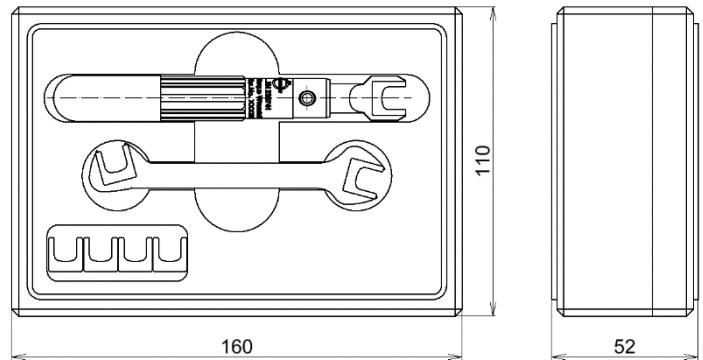


Torque Wrench || BN 238741



all dimensions in millimeter

Mechanical characteristics

Wrench size	8 mm
Uses	1.35 mm, 1.85 mm, 2.4 mm, 2.92 mm, 3.5 mm
Preset torque	0.9 N·m ± 0.09 N·m
Material / surface finish	copper alloy, steel / nickel-plated PEI
Weight, approx.	0.1 kg

Scope of delivery and accessories

Scope of delivery	certificate of calibration, handling instructions, wrench with flat 8, 10 pcs. of spare pads for spanner flats, storage box
-------------------	--------------------------------------------------------------------------------------------------------------------------------

SPINNER GmbH
 This document is proprietary to us.
 All rights reserved. Any use, transfer, or reproduction of this document
 or the know-how contained therein requires our express consent.