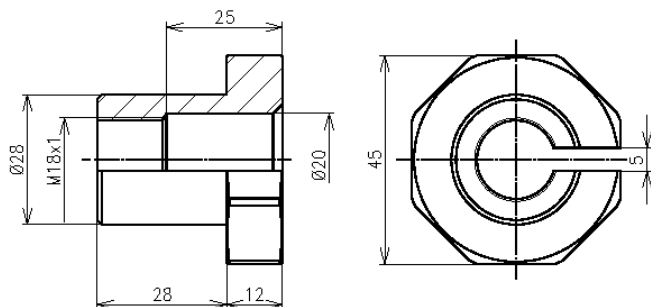
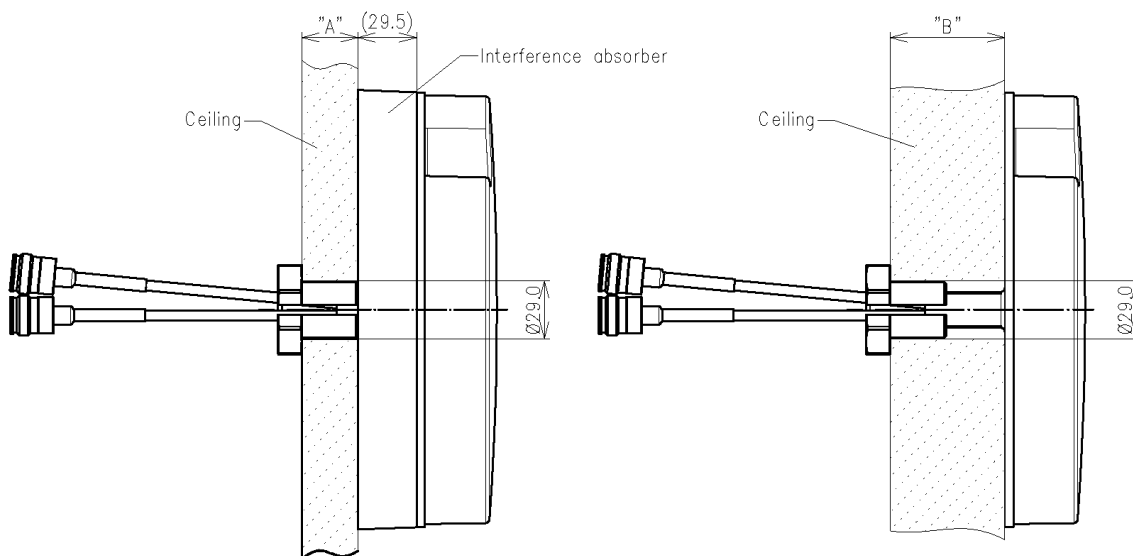


Central mounting extension | BN 16558A



All dimensions in millimeter

Material / surface finish	Acrylnitril-Styrol-Acrylat (ASA) / no finish		
Weight, approx.	18 g		
Operating temperature range	-40 to +85°C		
Storage temperature range	-70 to +85°C		
Suitable for omni antennas	A77137   A77137C0001   A77141   A77142   A77142C0001   A77143   A77144   A77145   A77146   A77146C0003   A77148		
	Antenna	Dim "A"	Dim "B"
Ceiling thickness, max.	A77137   A77137C0001	22.0	51.5
	A77141	30.0	59.5
	A77142   A77142C0001	25.0	64.5
	A77143	17.0	46.5
	A77144	24.6	54.1
	A77145	30.5	60.0
	A77146   A77146C0003	21.5	51.0
	A77148	26.8	56.3



SPINNER GmbH  
 This document is proprietary to us.  
 All rights reserved. Any use, transfer, or reproduction of this document  
 or the know-how contained therein requires our express consent.