

Installation guide for antenna BN A77150C0001

1 Introduction and safety advice

This instruction shall provide information how to install the antenna with mounting kits.

All shown tasks are intended to be carried out by qualified personnel only. Safety rules apply (e.g. for working with heavy loads, radio frequency power signals or tools). In order to prevent damage to equipment and humans, make sure that no RF power is present at the combiner during installation.

Please note that satisfactory performance of the system (especially in terms of intermodulation) can only be achieved if all jumper cables and connectors are handled properly. Please make sure that all connectors are clean and free from metal dust or dirt. Avoid sharp bending of the connecting jumper cables.

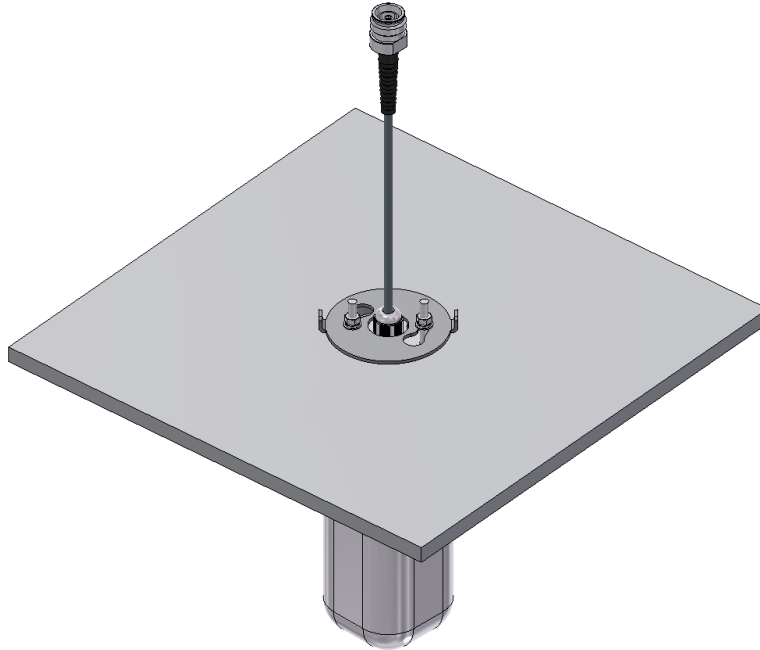
After carrying out all described steps, the antenna is ready for use. Make sure that the specified environmental conditions for operation are not exceeded.

SPINNER does not guarantee for any faults or damage resulting from improper installation.

2 Installation

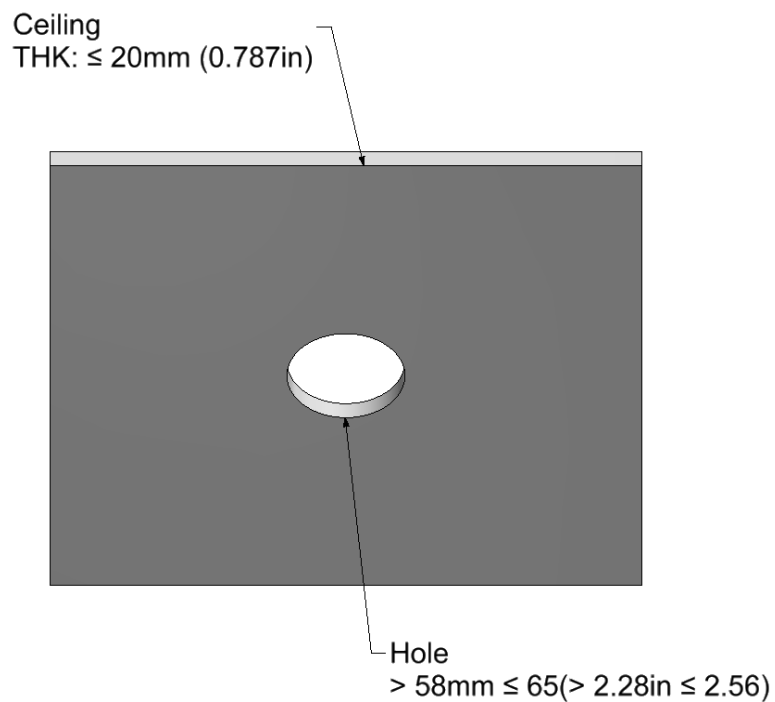
2.1 Through hole mounting

Secure the antenna on the ceiling with the mounting plate using the two M5 nuts.

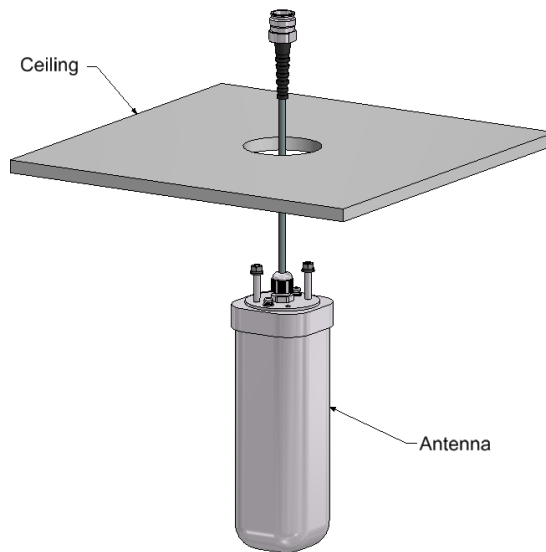


2.2 Installation of the antenna

Step 1: Cut a through hole with diameter 58 to ≤ 65 mm into the ceiling.

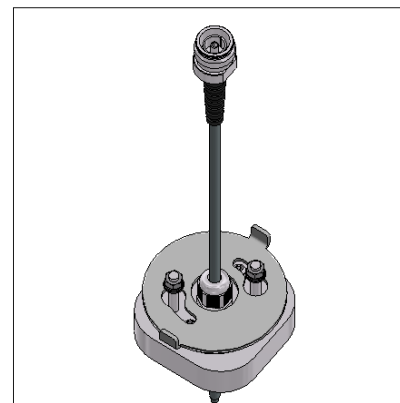
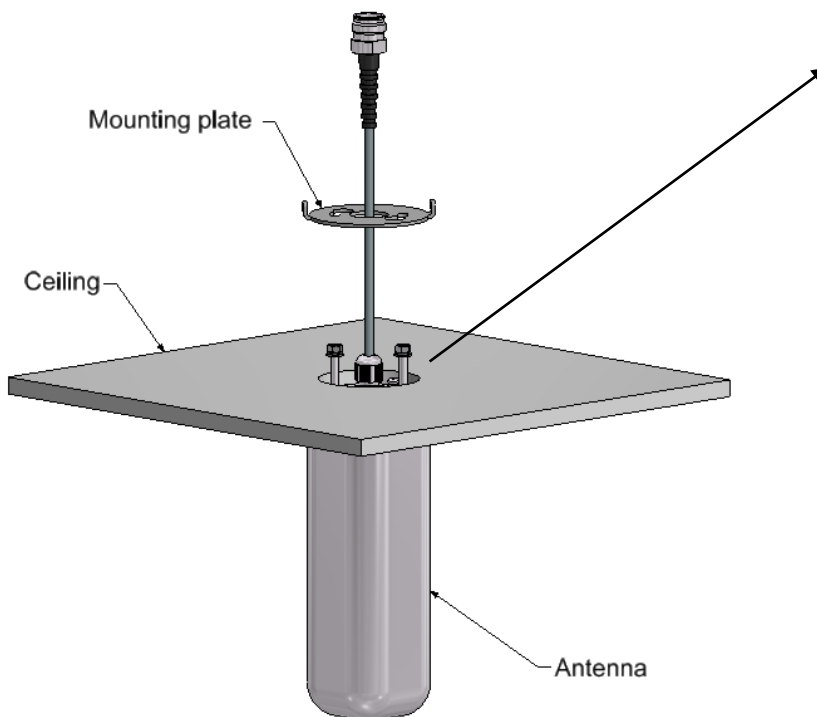


Step 2: Route the antenna cable and connector through the ceiling hole and position the bottom of the antenna flat against the ceiling.



Step 3: Route the antenna cable through the mounting plate and attach it to the ceiling surface.

Note: Detail operation.



1) Just put into the fixed parts position effect.



2) As shown in the figure, rotate the fixing parts to clamp the antenna screws.

Step 4: Lock the two flange M5 nuts to complete the installation.

