

Installation guide for antenna BN 666001

1 Introduction and safety advice

This instruction shall provide information how to install the antenna with mounting kits.

All shown tasks are intended to be carried out by qualified personnel only. Safety rules apply (e.g. for working with heavy loads, radio frequency power signals or tools). In order to prevent damage to equipment and humans, make sure that no RF power is present at the combiner during installation.

Please note that satisfactory performance of the system (especially in terms of intermodulation) can only be achieved if all jumper cables and connectors are handled properly. Please make sure that all connectors are clean and free from metal dust or dirt. Avoid sharp bending of the connecting jumper cables.

After carrying out all described steps, the antenna is ready for use. Make sure that the specified environmental conditions for operation are not exceeded.

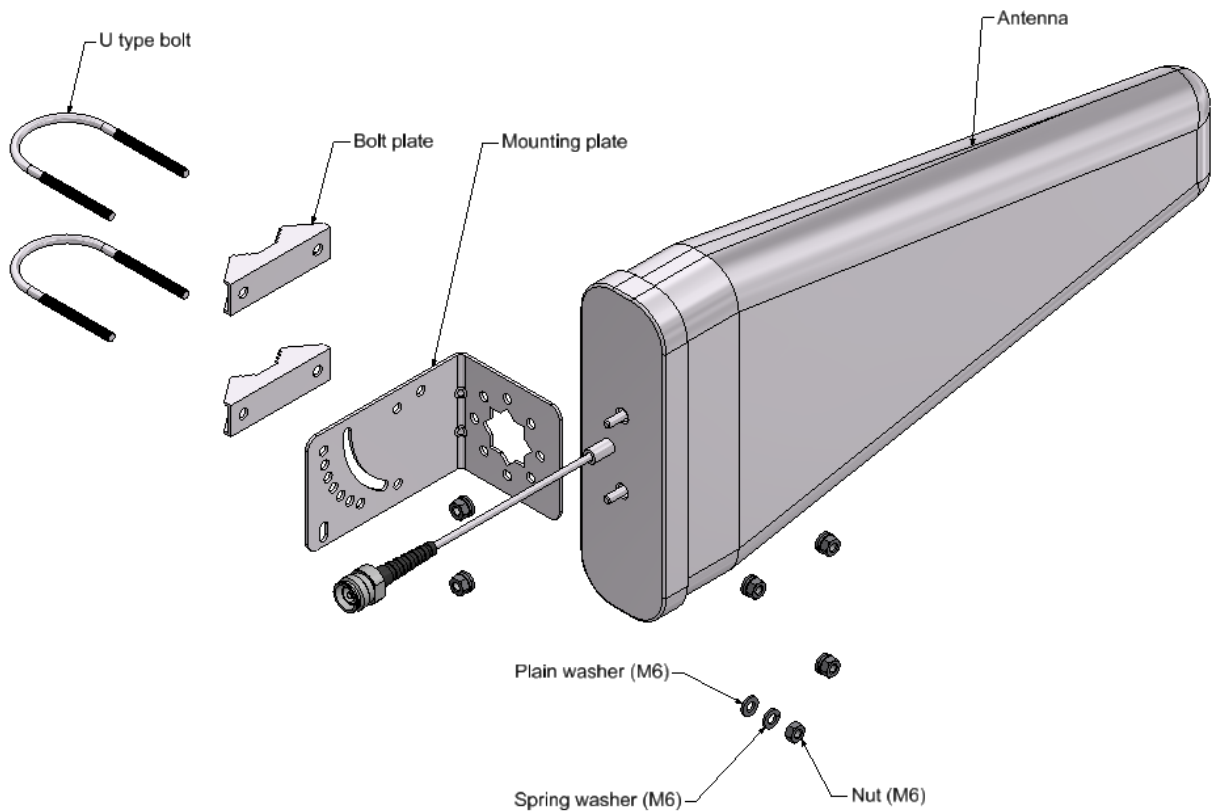
SPINNER does not guarantee for any faults or damage resulting from improper installation.

2 Installation

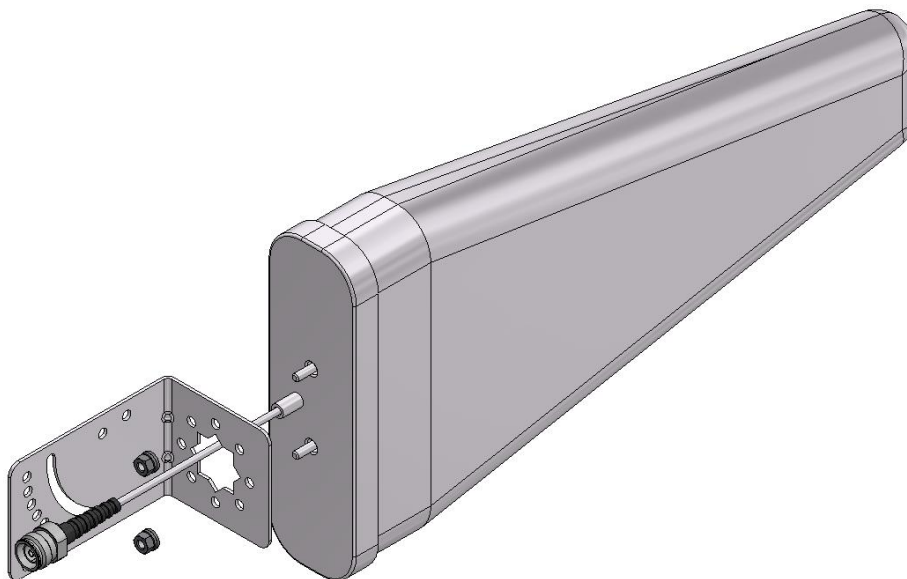
2.1 Install the antenna

Mast or pole mounting

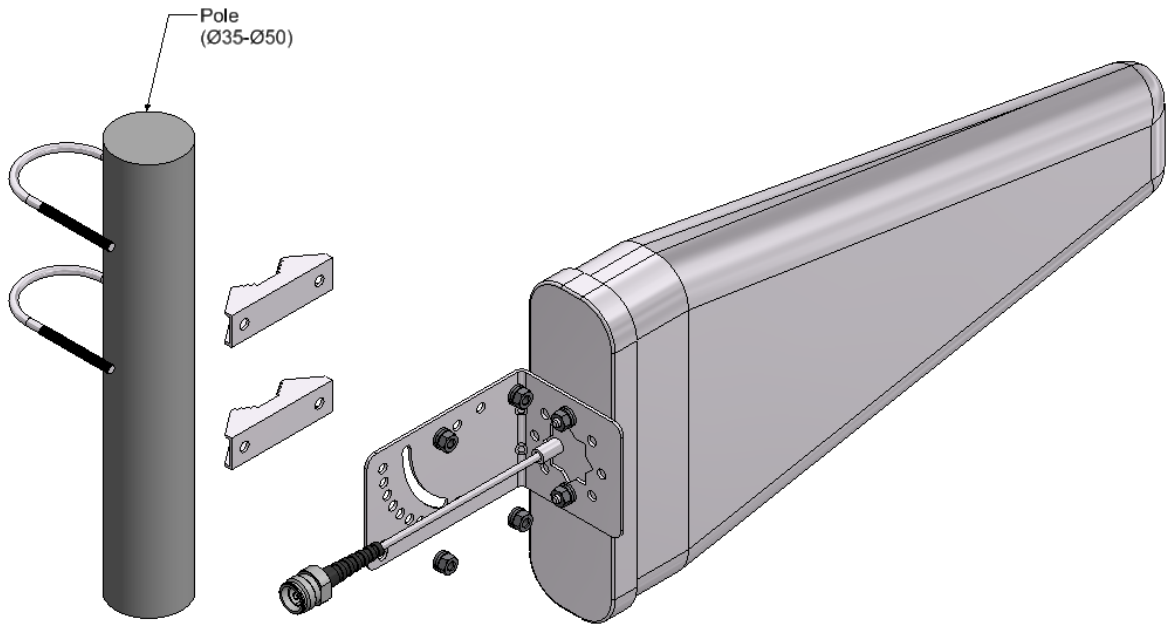
Step 1: Please prepare the materials and available tools.



Step 2: The mounting plate is fixed to the antenna body with M6 nuts.



Step 3: Position the U type bolts and bolt plates on the pole.



Step 4: Install the antenna with mounting plate and U type bolts on the pole and tighten it with the M6 nuts.

