

Installation guide for antenna BN 666000

1 Introduction and safety advice

This instruction shall provide information how to install the antenna with mounting kits.

All shown tasks are intended to be carried out by qualified personnel only. Safety rules apply (e.g. for working with heavy loads, radio frequency power signals or tools). In order to prevent damage to equipment and humans, make sure that no RF power is present at the combiner during installation.

Please note that satisfactory performance of the system (especially in terms of intermodulation) can only be achieved if all jumper cables and connectors are handled properly. Please make sure that all connectors are clean and free from metal dust or dirt. Avoid sharp bending of the connecting jumper cables.

After carrying out all described steps, the antenna is ready for use. Make sure that the specified environmental conditions for operation are not exceeded.

SPINNER does not guarantee for any faults or damage resulting from improper installation.

2 Installation

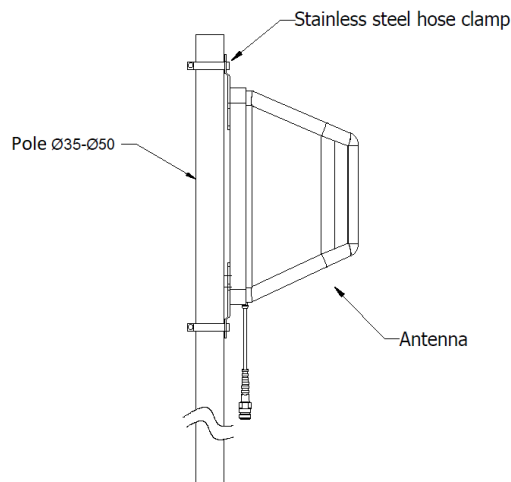
2.1 Install the antenna:

Note: For indoor installations it is also possible to install the antenna “upside down” (180° turned), that the cable exit on top.

Method 1: Mast or pole mounting

Step 1: First attach the stainless steel hose clamps to the antenna mounting plate.

Step 2: Use the stainless steel hose clamps to secure it to the pole and tighten the screws.



2.2 Install the antenna:

Method 2: On wall mounting

Step 1: Drill 3 holes (M6*25) in the designated position on the wall.

Step 2: Put the plastic dowels into the holes.

Step 3: Tighten the antenna with self-tapping screws (M4*25) to the wall.

