

SpinnerFlex® MQ4/5 Jumper SF 1/4"-50-PE and SF 1/4"-50-FR



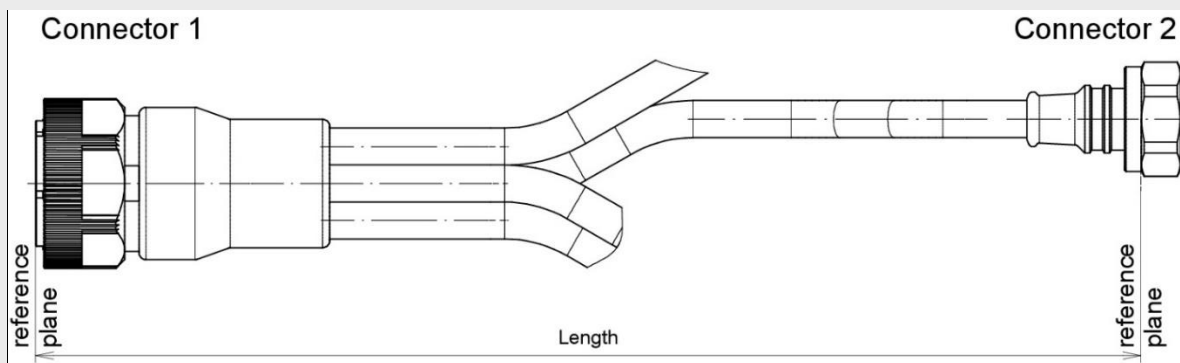
SPINNER GmbH
 This document is proprietary to us.
 All rights reserved. Any use, transfer, or reproduction of this document
 or the know-how contained therein requires our express consent.

Electrical Specification						
Impedance	50 Ω					
IM3 (2 x 20 W) ¹⁾	≤ -155 dBc / typ. -160 dBc					
1) Jumper cables with improved IM3 values are available on request.						
Frequency range	≤ 2,200 MHz	≤ 2,700 MHz	≤ 3,300 MHz	≤ 4,200 MHz	≤ 5,000 MHz ³⁾	≤ 6,000 MHz ³⁾
VSWR ²⁾	≤ 1.10	≤ 1.12	≤ 1.16	≤ 1.2	≤ 1.25	≤ 1.35
2) The given VSWR values are maintained within all global cellular frequency bands.						
3) Extended frequency range for premium quality. Please specify before order.						
Insertion loss, nominal (20 °C cable temperature values without connectors, typ. connector attenuation is ≤ 0.01 dB)	≤ 2,200 MHz	≤ 2,700 MHz	≤ 3,300 MHz	≤ 4,200 MHz	≤ 5,000 MHz	≤ 6,000 MHz
	30.1 dB/100m	33.7 dB/100m	37.6 dB/100m	42.9 dB/100m	47.1 dB/100m	52.1 dB/100m
max. Power rating (40 °C ambient temperature)	0.22 kW	0.20 kW	0.17 kW	0.15 kW	0.13 kW	0.12 kW

Template JMQ-BE.docx

SpinnerFlex® MQ4/5 Jumper SF 1/4"-50-PE and SF 1/4"-50-FR

Mechanical Specification								
Minimum bending radius	30 mm (repeated bends)							
Crush resistance	18.4 N/mm							
Recommended clamp spacing	200 mm							
Cable jacket Nominal outer jacket diameter	PE black 7.8 mm							
Connector	Material				Surface			
Inner conductor	Cu-alloy / CuBe				Ag-plated			
Outer conductor	Cu-alloy / CuBe				Ag-plated			
Other metal parts	Cu-alloy				Ni-plated / CuSnZn-plated			
Insulation	PTFE, PE							
Sealing	Silicone rubber							
Installation instruction	M30804							
Length definition								
Length [m]	> 0.5 - 1.0	> 1.0 - 1.5	> 1.5 - 2.5	> 2.5 - 4.0	> 4.0 - 6.0	> 6.0 - 10.0	> 10.0 - 15.0	> 15.0 - 20.0
Tolerances [mm]	+ 40 - 10	+ 40 - 15	+ 40 - 25	± 40	± 60	± 100	± 150	± 200



Port Labelling

MQ Port	MQ4-1	MQ4-2	MQ4-3	MQ4-4	MQ5-1	MQ5-2	MQ5-3	MQ5-4	MQ5-5
Antenna Port	R-	CR-	CL-	L-	R+	CR+	CL+	L+	CAL

SPINNER GmbH
 This document is proprietary to us.
 All rights reserved. Any use, transfer, or reproduction of this document
 or the know-how contained therein requires our express consent.

Template JMQ-BE.docx

SpinnerFlex® MQ4/5 Jumper SF 1/4"-50-PE and SF 1/4"-50-FR

Environmental Specification			
Degree of protection	IP 68 (0.1 bar / 6 hours / unmated) IP 68 (1 bar / 1 hour / mated)		
Recommended temperature range	Storage	Installation	Operation
SF 1/4"-50-PE	-55 °C to +85 °C	-25 °C to +60 °C	-55 °C to +85 °C
SF 1/4"-50-FR	-55 °C to +85 °C	-25 °C to +60 °C	-55 °C to +85 °C
Cable jacket	Halogen free acc. to IEC 60754-1 and IEC 60754-2		
SF 1/4"-50-PE	Fire retardant acc. to IEC 60332-1, IEC 60332-3.C, IEC 61034 and UL 1581-1991		
SF 1/4"-50-FR			
RoHS	compliant to directive 2011/65/EU and amendment (EU) 2015/863		

Sales product number

Jumper	Cable Type	Cable Size	Cable Jacket	Connector 1	Connector 2	Length	Unit	Length	
J	S	14	Z	MQX	XZ	-	X	Z	X
SF	S	14	Blank for PE						
1/4"			F						
Fire retardant									
X = Conn. System	Z = Conn. Style			X	Z				
MQ4				4					
MQ5				5					
7-16	Male			7	M				
4.1-9.5	Male right angle			41	R				
N	Female (right angle)			N	F(R)				
	Female bulkhead (right angle)				B(R)				
	Female four-hole panel (right angle)				P(R)				
4.3-10	Male; screw			43	MS				
2.2-5	Male; hand screw			22	MH				
NEX10®	Male; push-pull			X	MP				
	Male right angle; screw				RS				
	Male right angle; hand screw				RH				
	Male right angle; push-pull				RP				
	Female (right angle)				F(R)				
	Female bulkhead (right angle)				B(R)				
	Female four-hole panel (right angle)				P(R)				
Length in meters/feet (depending on unit specified)									
Meters as unit								M	
Feet as unit								F	
Length in decimeters/inches (depending on unit specified)									

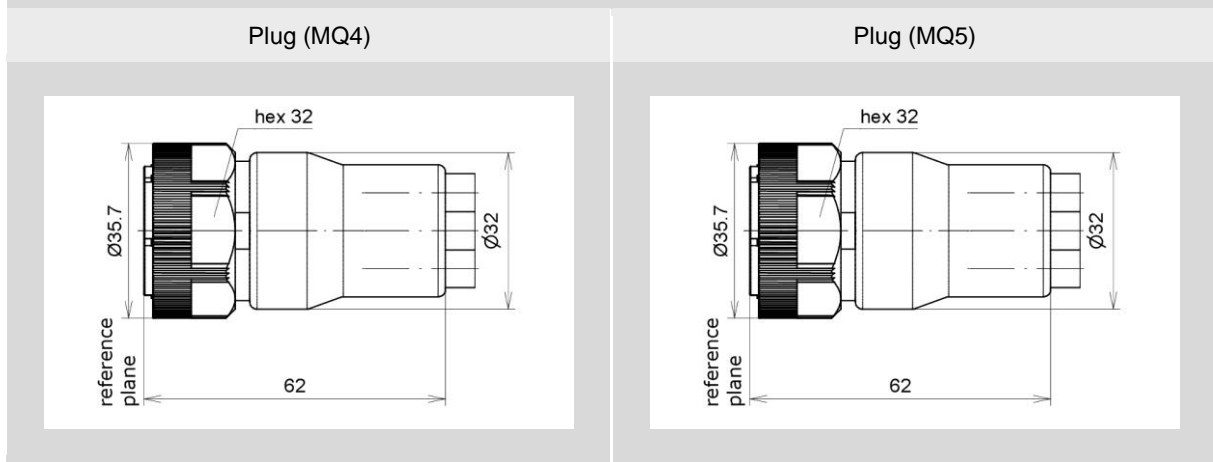
Examples:

JS14-MQ443F-0M5 (SF 1/4" jumper with MQ4 female screw type and 4 x 4.3-10 female; length 0.5 meter)

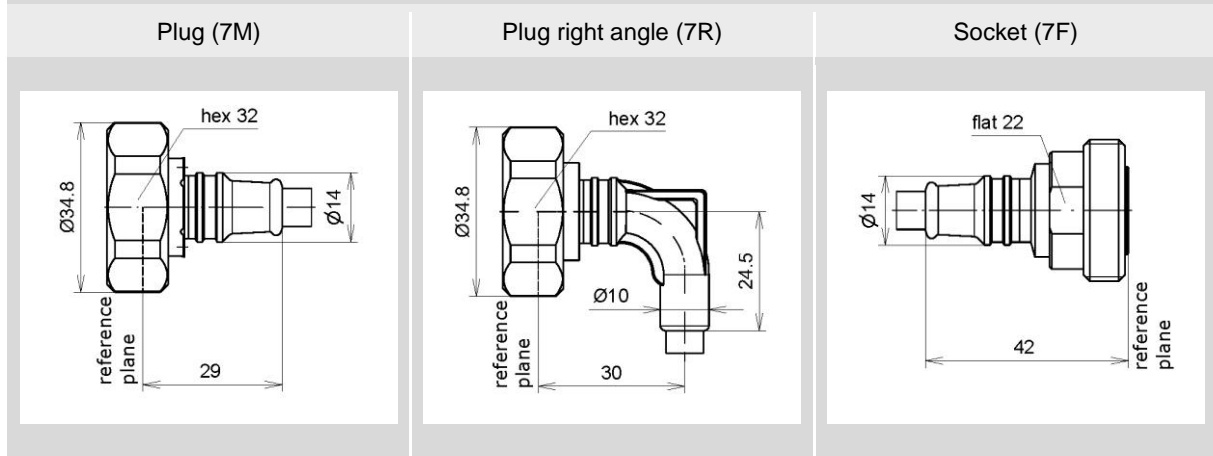
JS14-MQ543MS-1M5 (SF 1/4" jumper with MQ5 female screw type and 5 x 4.3-10 male screw type; length 1.5 meter)

SpinnerFlex® MQ4/5 Jumper SF 1/4"-50-PE and SF 1/4"-50-FR

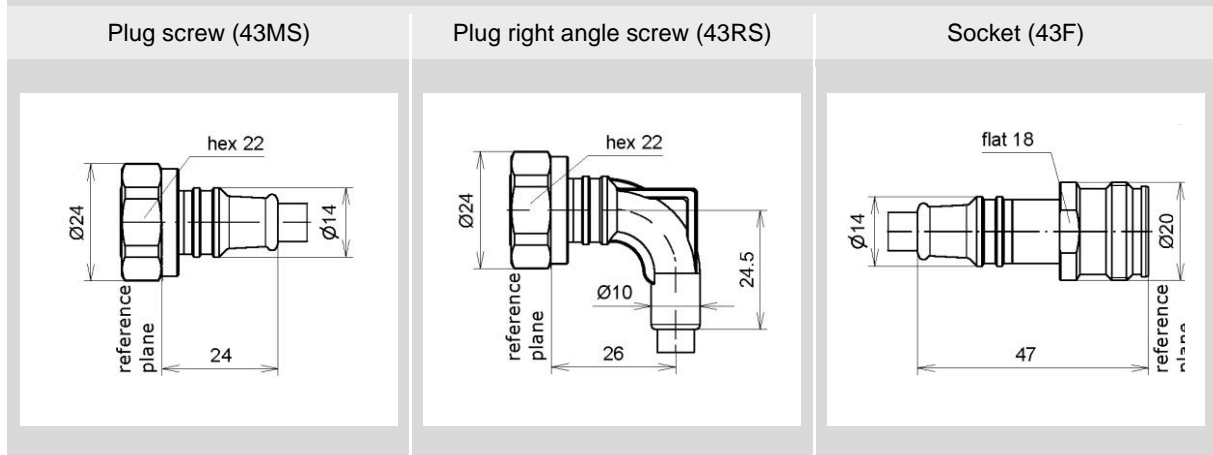
MQ4; MQ5 connector system (according to IEC 63138-2; -3)



7-16 connector system (according to IEC 61169-4)



4.3-10 connector system (according to IEC 61169-54)



Dimensions in mm.

SPINNER GmbH
 This document is proprietary to us.
 All rights reserved. Any use, transfer, or reproduction of this document
 or the know-how contained therein requires our express consent.

Template JMQ-BE.docx

SpinnerFlex® MQ4/5 Jumper SF 1/4"-50-PE and SF 1/4"-50-FR

4.3-10 connector system (according to IEC 61169-54)

Plug hand-screw (43MH)	Plug right angle hand-screw (43RH)
Plug push pull (43MP)	Plug right angle push pull (43RP)

N connector system (according to IEC 61169-16)

Plug (NM)	Plug right angle (NR)	Socket (NF)

Dimensions in mm.

SPINNER GmbH
 This document is proprietary to us.
 All rights reserved. Any use, transfer, or reproduction of this document
 or the know-how contained therein requires our express consent.

SpinnerFlex® MQ4/5 Jumper SF 1/4"-50-PE and SF 1/4"-50-FR

2.2-5 connector system (according to IEC 61169-66)

Plug screw (22MS)	Plug right angle screw (22RS)	Socket (22F)

NEX10 connector system (according to IEC 61169-71)

Plug screw (XMS)	Plug right angle screw (XRS)	Socket (XF)

Dimensions in mm.

SPINNER GmbH
 This document is proprietary to us.
 All rights reserved. Any use, transfer, or reproduction of this document
 or the know-how contained therein requires our express consent.