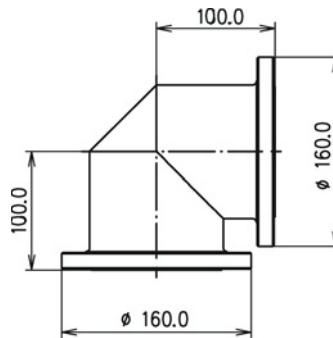
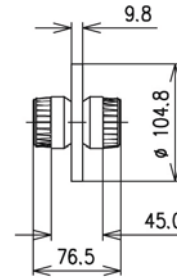


Rigid Line Components 4 1/2" EIA ¹

- Very stable rigid line system
- Low insertion loss
- Low VSWR
- PTFE insulation
- Designed for pressure tight systems
- For outdoor application



90° Elbow
BN 704001



Coupling element
BN 822810

Components

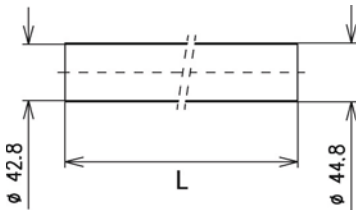
	Length	Weight	Part Number
Inner conductor tube (copper)	L = 2 m L = 4 m	2.50 kg 5.00 kg	BN A02421 BN K26291C0004
Outer conductor tube (copper)	L = 2 m L = 4 m	8.80 kg 17.60 kg	BN A02422 BN K20852C0004
Rigid line (inner + outer conductor) with fixed flanges, custom-designed length Please define length in mm with your order. Spinner generates a part number extension for every specific length (V****).	0.12 m ≤ L ≤ 2.5 m 2.5 m < L ≤ 4 m		BN 648614V**** BN 648681V****
Inner support		0.60 kg	BN 648602
Fixed flange for brazing		1.29 kg	BN 648601
Coupling element incl. screw set		1.07 kg	BN 822810
90° Elbow		6.10 kg	BN 704001

Electrical Data

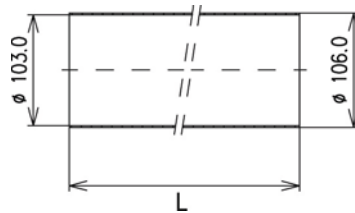
Impedance		50 Ω
Cut off frequency for H11-Mode		1.2 GHz
Proof voltage at sea level (NN)		19.0 kV
Frequency range		0 ≤ f ≤ 1.0 GHz
Average power at +40 °C ambient temperature	100 MHz 230 MHz 860 MHz	≤ 112.0 kW ≤ 74.0 kW ≤ 38.0 kW
Attenuation at +20 °C ambient temperature (dB/100m)	100 MHz 230 MHz 860 MHz	0.24 0.36 0.69

¹ 339 IEC 50-105

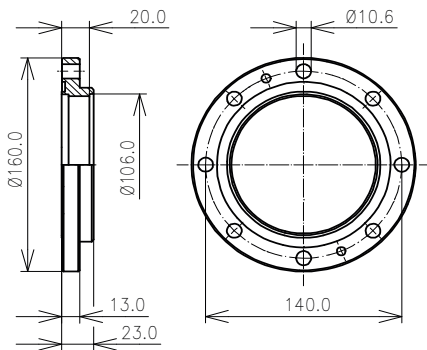
Rigid Line Components 4 1/2" EIA ¹



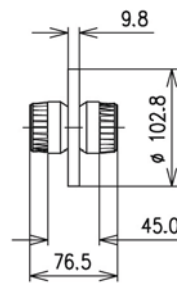
Inner conductor tube
BN A02421; BN K26291



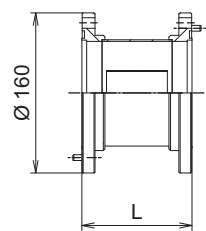
Outer conductor tube (not painted)
BN A02422; BN K20852



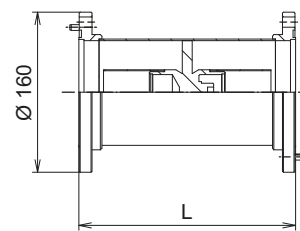
Fixed flange for brazing
BN 648601



Inner support
BN 648602



Rigid line
BN 648614V****



Rigid line
BN 648681V****

Length of rigid line L	Number inner supports required
2.5 m \leq L \leq 4.0 m	1

¹ 339 IEC 50-105