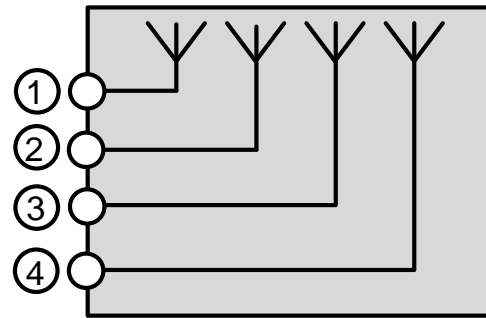


4x4 MIMO HHHH-Pol Omni Antenna, 694MHz-4300MHz



not binding



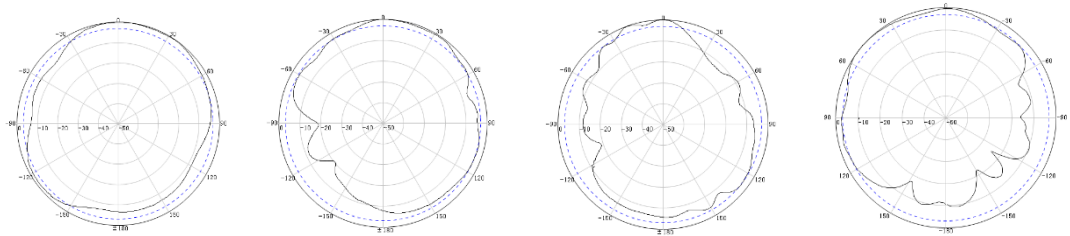
block diagram

Part number	BN A77670		
Connector	4 x 4.3-10 female (50 Ω)		
Frequency range, [MHz]	694-960	1690-2700	3300-4300
Gain, [dBi]	3±0.5	3.5±0.5	4.5±1.0
Polarization	4 x Horizontal		
Beam width, [deg]	Horizontal	360	
	Vertical	90	45
Isolation, [dB]	≥16	≥20	≥25
VSWR	≤1.8		
Intermodulation (IM3) @ 2x 20 W, [dBc]	≤-153		
Input power, [W]	max. 50 per port.		
Degree of protection	Indoor / IP52		
Weight, without Mounting Kit, [kg]	1.17		
Radome Material and Color	ABS, White, RAL9003		
Temperature range, [°C]	-55 - +60		
Dimensions, [mm]	Ø360 x 24		
Pigtail Length, [mm]	550		
Operational Humidity	<95%		
RoHS	Compliant		
Flammability rating	UL 94-V0		
Fire load, [kWh]	6.25		
Installation instructions	M36535		
Mounting Kit	Ceiling ¹⁾ , via hole(standard)		

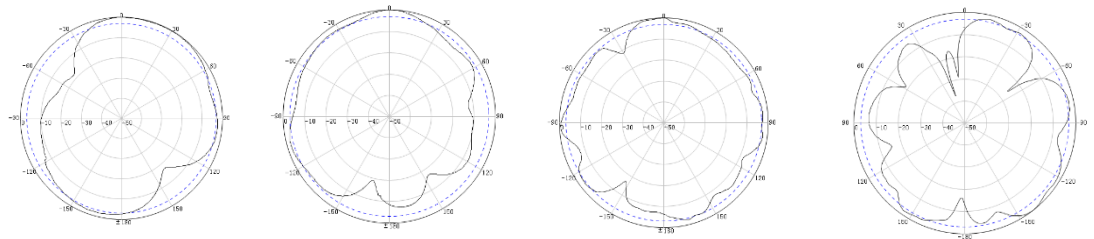
¹⁾ The installation of thin antennas is not recommended for metal ceilings.

Radiation pattern:

Horizontal pattern



Vertical pattern



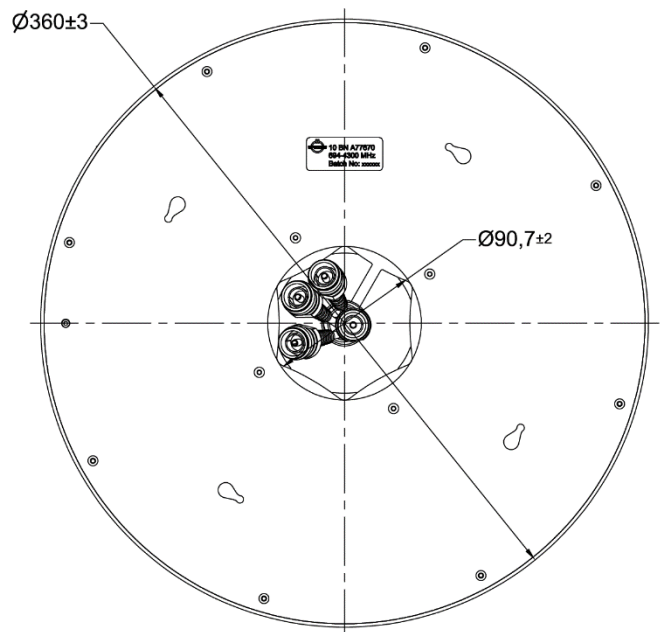
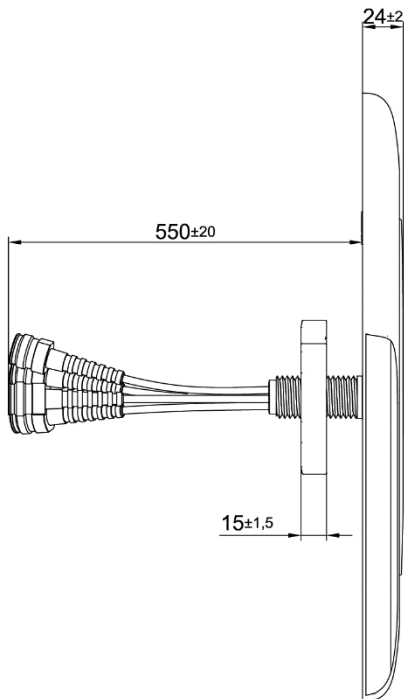
900MHz

1710MHz

2500MHz

3500MHz

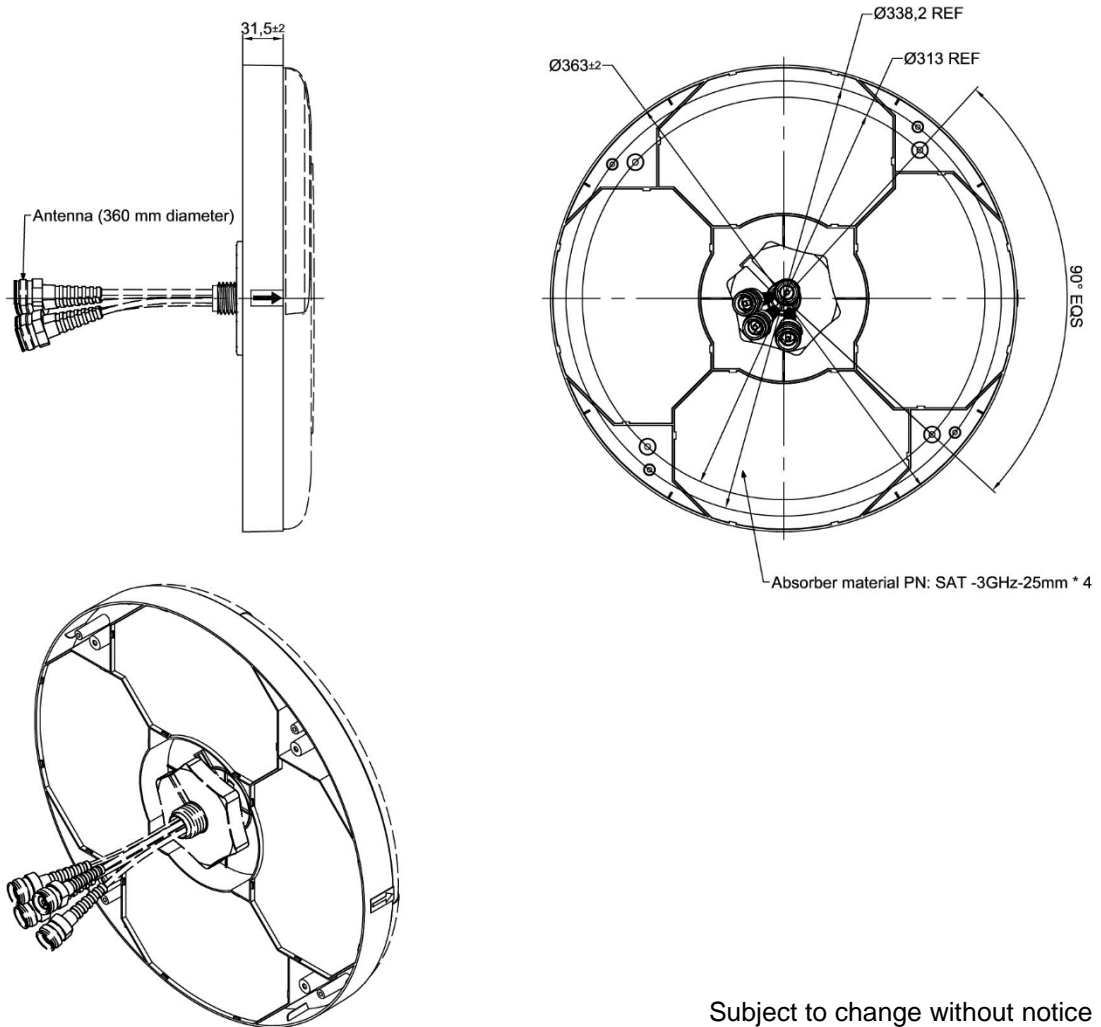
Dimensions and mounting:



Standard:

4.3-10 female (50 ohms): IEC 61169-54

Absorbing/Mounting accessory BN A77699 (optional)



Subject to change without notice