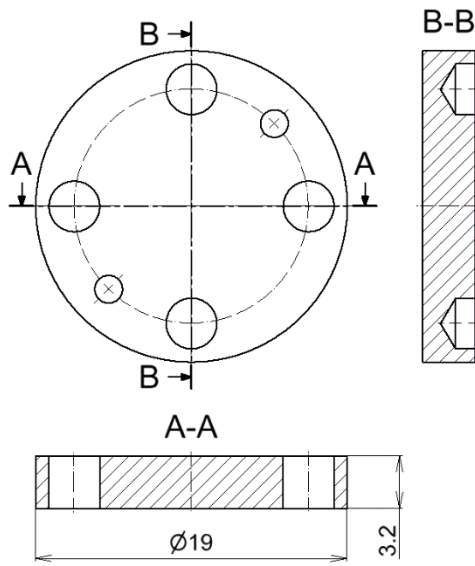


Waveguide Protecting Element || BN A62935



all dimensions in mm

Technical characteristics

Compatible with flanges according to standard	M3922/67, IEEE 1785
Material / surface finish	PEI / no finish
Weight, approx.	1 g

This document is proprietary to us. All rights reserved. Any use, transfer, or reproduction of this document or the know-how contained therein requires our express consent.

SPINNER GmbH
 Template TD-00003A