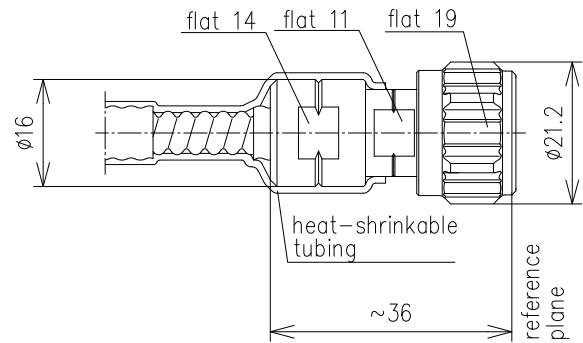


CABLE PLUG FOR SF 1/4"-50-TYPE N



Part number	BN 84 47 60				
Connector type	N plug				
Version	CAF®				
Impedance	50 Ω				
Frequency range	0 - 1 GHz	1 - 2 GHz	2 - 2.7 GHz	2.7 - 3.8 GHz	3.8 - 6 GHz
VSWR	≤ 1.03	≤ 1.06	≤ 1.08	≤ 1.12	≤ 1.2
Material and surface					
Inner conductor	copper alloy		silver-plated		
Outer conductor	copper alloy		silver-plated		
Other metal parts	copper alloy		bright nickel-plated		
Insulation	PTFE				
Sealing	silicone rubber, heat-shrinkable adhesive tubing				
Degree of protection	IP68 (mated)				
Cable compatibility	RFS	SCF 14-50			
Standards	IEC 61169-16				
Installation instructions	M30493				
Weight	approx. 0.04 kg				
Included in delivery	installation instructions				