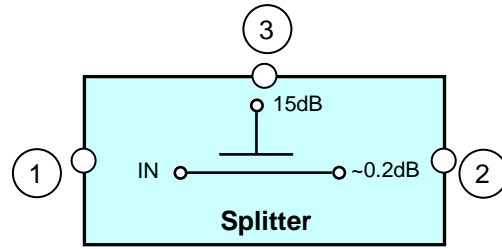


Asymmetric Splitter 15 dB



not binding



block diagram

Electrical characteristics

Part number	BN 818399F001				
Splitting ratio	1 : 0.03 : 0.97				
Frequency range:	88 – 136 MHz	136 – 170 MHz	170 – 380 MHz	380 – 1500 MHz	1.71 – 2.7 GHz
Coupling (Secondary line)	17 dB typ.	16 dB typ.	15 dB -1/+2.5 dB		
Insertion loss:	~ 0.2 dB (Main line)				
VSWR	≤ 1.2 (Port 1, 2) *				
Impedance	50 Ohm				
Passive intermodulation (IM3), 3rd order @ 2 x 20W	-160 dBc max. / -165 dBc typ.				
Power Rating:	500 W CW (5 kW peak / 20µs)				

* According to DIN 14024-1

Mechanical characteristics

Connectors	4.3-10 female
Dimensions, approx.	See drawing
Weight, approx.	0.55 kg
Wall / Mast mounting	to be ordered separately under BN B09499

Environmental conditions

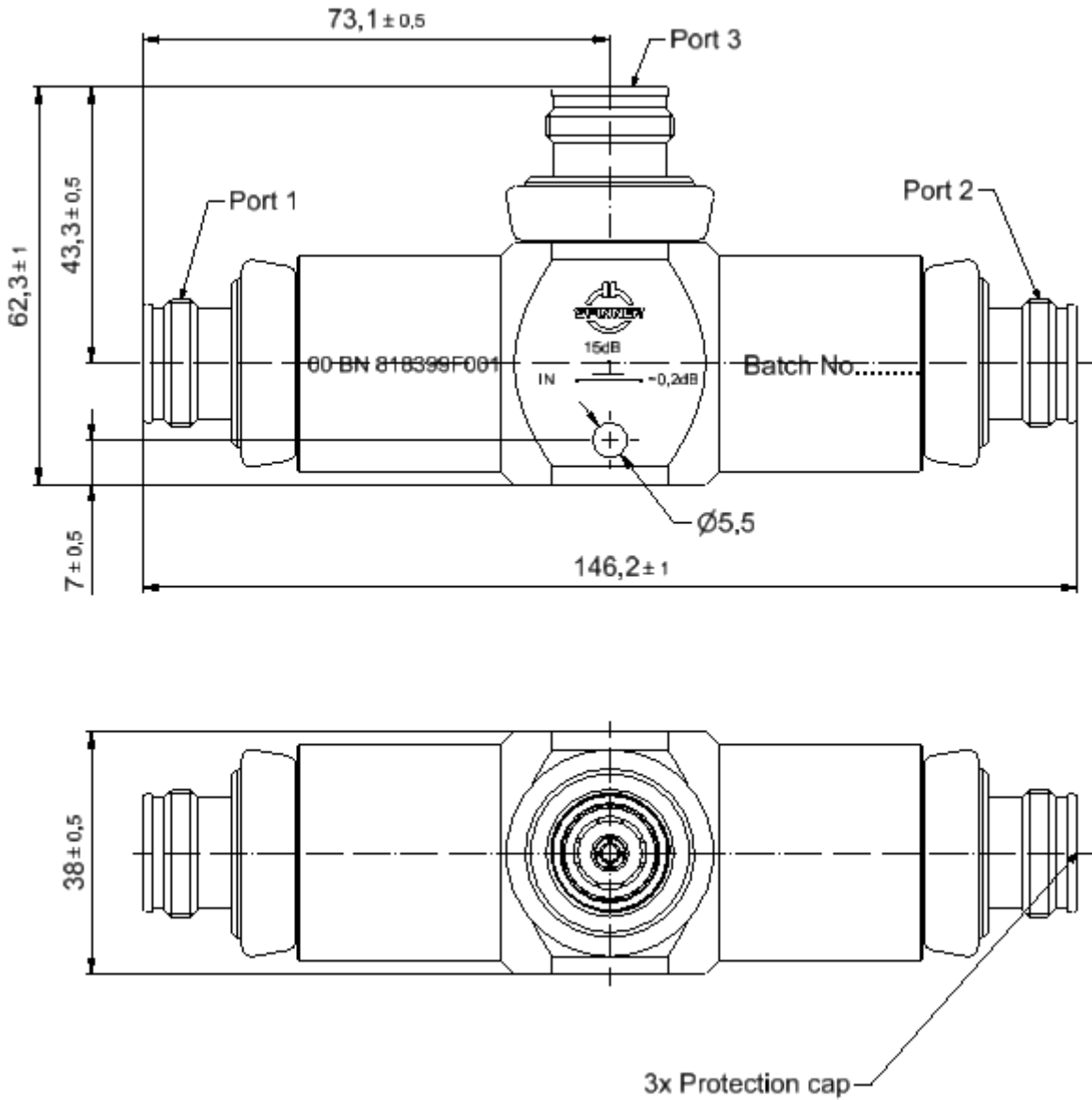
Class. of environmental conditions	ETSI EN 300019-1-1 Class 1.2 ETSI EN 300019-1-2 Class 2.3 ETSI EN 300019-1-4 Class 4.1E
Degree of protection	IP 68 (Outdoor)
Operation Ambient temperature range	-40 °C to +70 °C
Storage Ambient temperature range	-40 °C to +85 °C
Relative humidity, max.	95% (non-condensing)

This document is proprietary to us. All rights reserved. Any use, transfer, or reproduction of this document or the know-how contained therein requires our express consent.

SPINNER GmbH
 Template TD-00002Y

Asymmetric Splitter 15 dB

Outline (all dimensions in millimeter)



SPINNER GmbH
 This document is proprietary to us.
 All rights reserved. Any use, transfer, or reproduction of this document
 or the know-how contained therein requires our express consent.

Standard:

4.3-10 female (50 ohms): IEC 61169-54

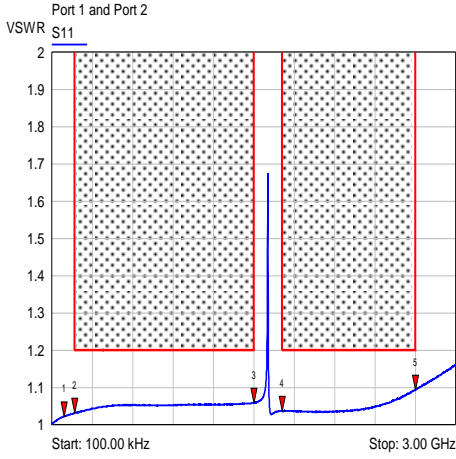
modifications reserved!

Template TD-00002Y

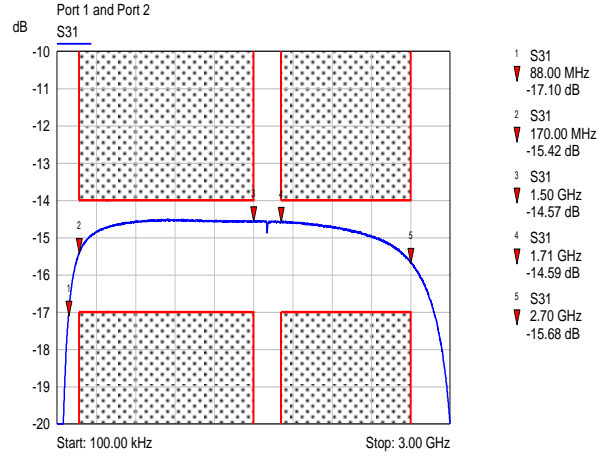
Asymmetric Splitter 15 dB

Measurements:

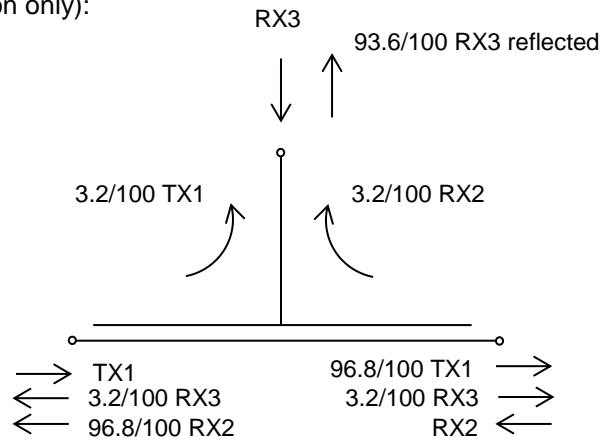
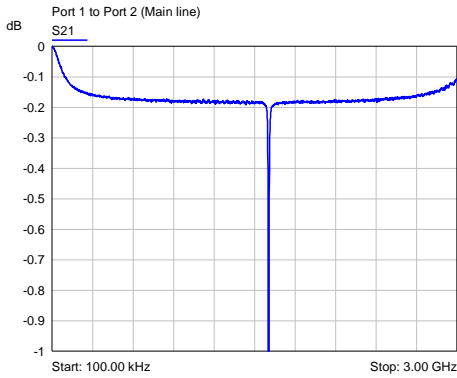
VSWR



Coupling



Signal splitting ratios (approximate values, for information only):



This document is proprietary to us. All rights reserved. Any use, transfer, or reproduction of this document or the know-how contained therein requires our express consent.

Template TD-00002Y