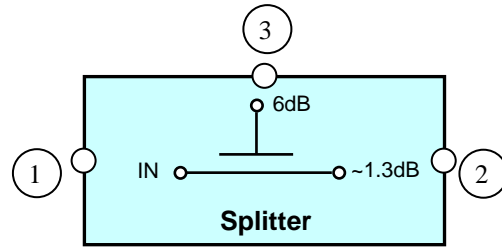


# Asymmetric Splitter 6 dB



not binding



block diagram

## Electrical characteristics

Part number	<b>BN 818342F001</b>				
Splitting ratio	1 : 0.25 : 0.75				
Frequency range:	88 – 136 MHz	136 – 170 MHz	170 – 380 MHz	380 – 1500 MHz	1.71 – 2.7 GHz
Coupling (Secondary line)	9.5 dB typ.	8 dB typ.	6 dB ±2 dB	6 dB ±1 dB	
Insertion loss:	~ 1.3 dB (Main line)				
VSWR	≤ 1.45 (Port 1, 2) *				
Impedance	50 Ohm				
Passive intermodulation (IM3), 3rd order @ 2 x 20W	-160 dBc max. / -165 dBc typ.				
Power Rating:	500 W CW (5 kW peak / 20µs)				

\* According to DIN 14024-1

## Mechanical characteristics

Connectors	4.3-10 female
Dimensions, approx.	See drawing
Weight, approx.	0.55 kg
Wall / Mast mounting	to be ordered separately under BN B09499

## Environmental conditions

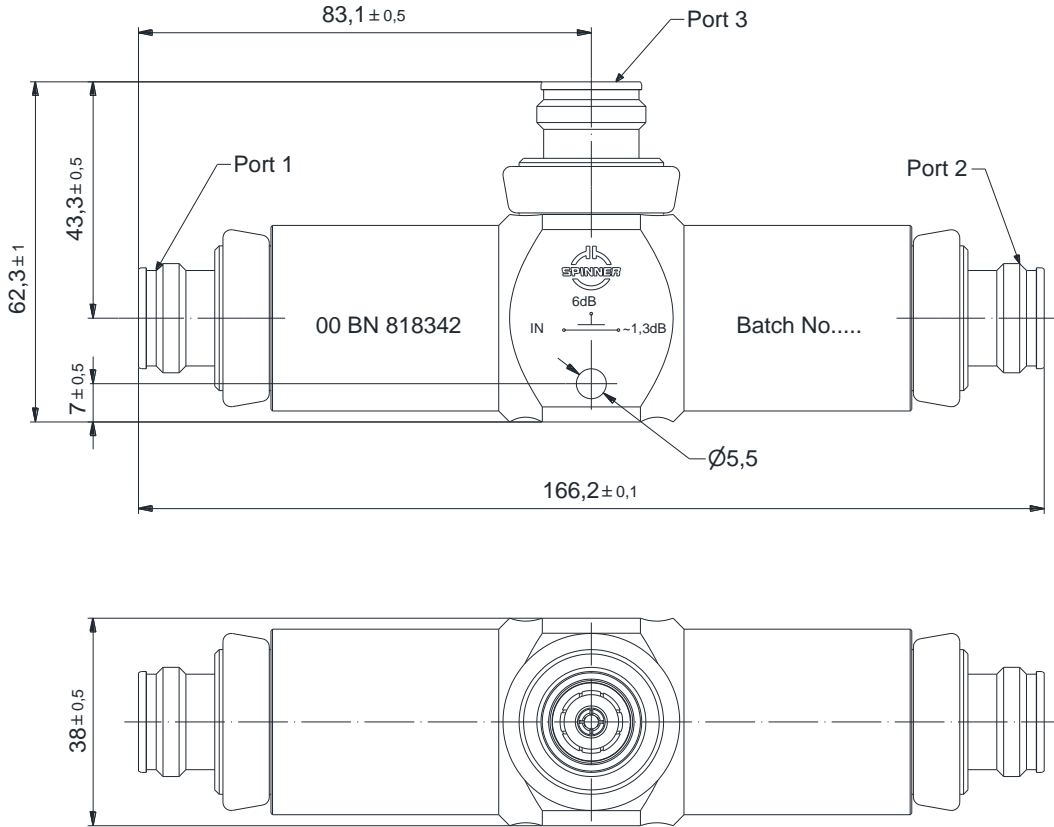
Class. of environmental conditions	ETSI EN 300019-1-1 Class 1.2 ETSI EN 300019-1-2 Class 2.3 ETSI EN 300019-1-4 Class 4.1E
Degree of protection	IP 68 (Outdoor)
Operation Ambient temperature range	-40 °C to +70 °C
Storage Ambient temperature range	-40 °C to +85 °C
Relative humidity, max.	95% (non-condensing)

This document is proprietary to us. All rights reserved. Any use, transfer, or reproduction of this document or the know-how contained therein requires our express consent.

SPINNER GmbH  
 Template TD-00002Y

# Asymmetric Splitter 6 dB

Outline (all dimensions in millimeter)



Standard:

4.3-10 female (50 ohms): IEC 61169-54

modifications reserved!

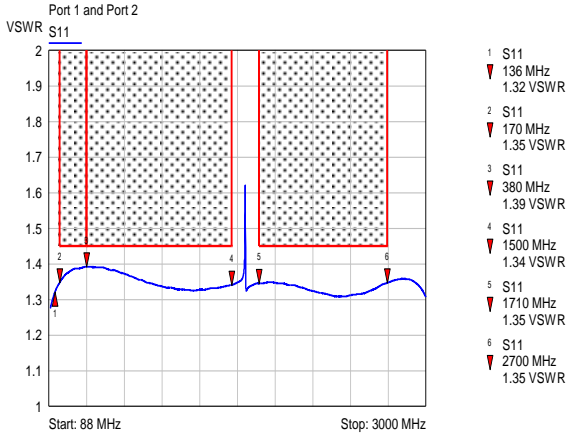
SPINNER GmbH  
 This document is proprietary to us.  
 All rights reserved. Any use, transfer, or reproduction of this document  
 or the know-how contained therein requires our express consent.

Template TD-00002Y

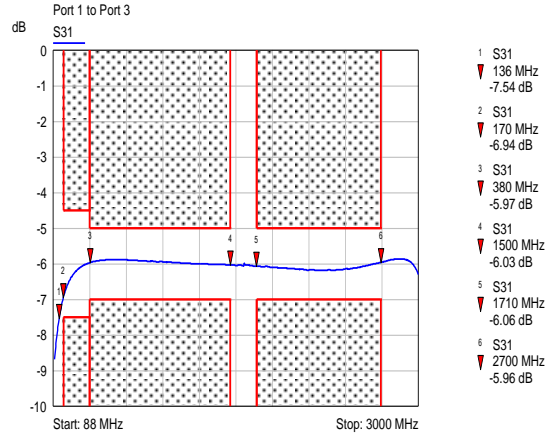
# Asymmetric Splitter 6 dB

Measurements:

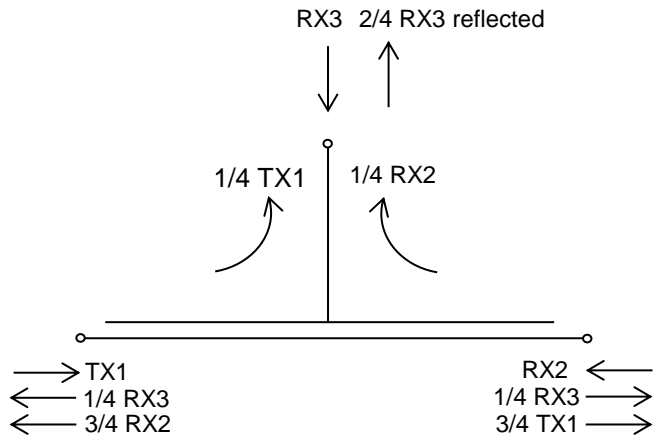
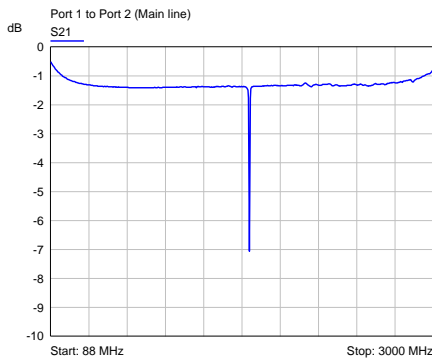
## VSWR:



## Coupling:



Signal splitting ratios (approximate values, for information only):



This document is proprietary to us. All rights reserved. Any use, transfer, or reproduction of this document or the know-how contained therein requires our express consent.

Template TD-00002Y