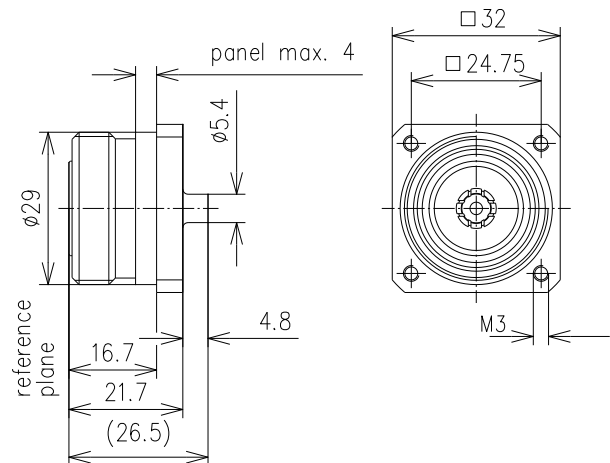


FIXED SOCKET FOR RG 402/U-TYPE 7-16



<b>Part number</b>	<b>BN 80 77 06</b>		
Connector type	7-16 socket		
Version	soldered		
Impedance	50 Ω		
Frequency range	0 - 1 GHz	1 - 2 GHz	2 - 4 GHz
VSWR	≤ 1.02	≤ 1.04	≤ 1.08
Proof voltage	≥ 1 kV		
Intermodulation (IM3) 2x20W	≤ -165 dBc		
Material and surface			
Inner conductor	copper alloy	silver-plated	
Outer conductor	copper alloy	silver-plated	
Insulation	PTFE		
Degree of protection	IP68 (mated)		
Contact captivation torque	min. 15 Ncm		
Cable compatibility	RG 402/U, semirigid flexible 141		
Standards	IEC 61169-4		
Installation instructions	M30592		
Weight	approx. 0.09 kg		
Included in delivery	installation instructions		
Delivery status	inner conductor attached separately		