

Coax Attenuator 3 dB low IM

Connectors:

7-16 socket (50 Ohms)

Frequency range:

1710 – 1880 MHz (GSM 1800)

Insertion loss:

3 dB +/- 0.5 dB

VSWR:

≤ 1.2 | typical ≤ 1.15

Power rating:

50 W

IM – value:

3rd order at 2 x 20 W ≤ -163 dBc

Degree of protection:

IP 20

Wall / Mast mounting:

not possible

Operating temperature:

-5 – +55 °C

Weight:

0.5 kg

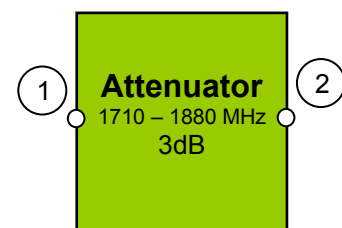
Appendix:

Dimensions
Measurements for

VSWR
Insertion loss

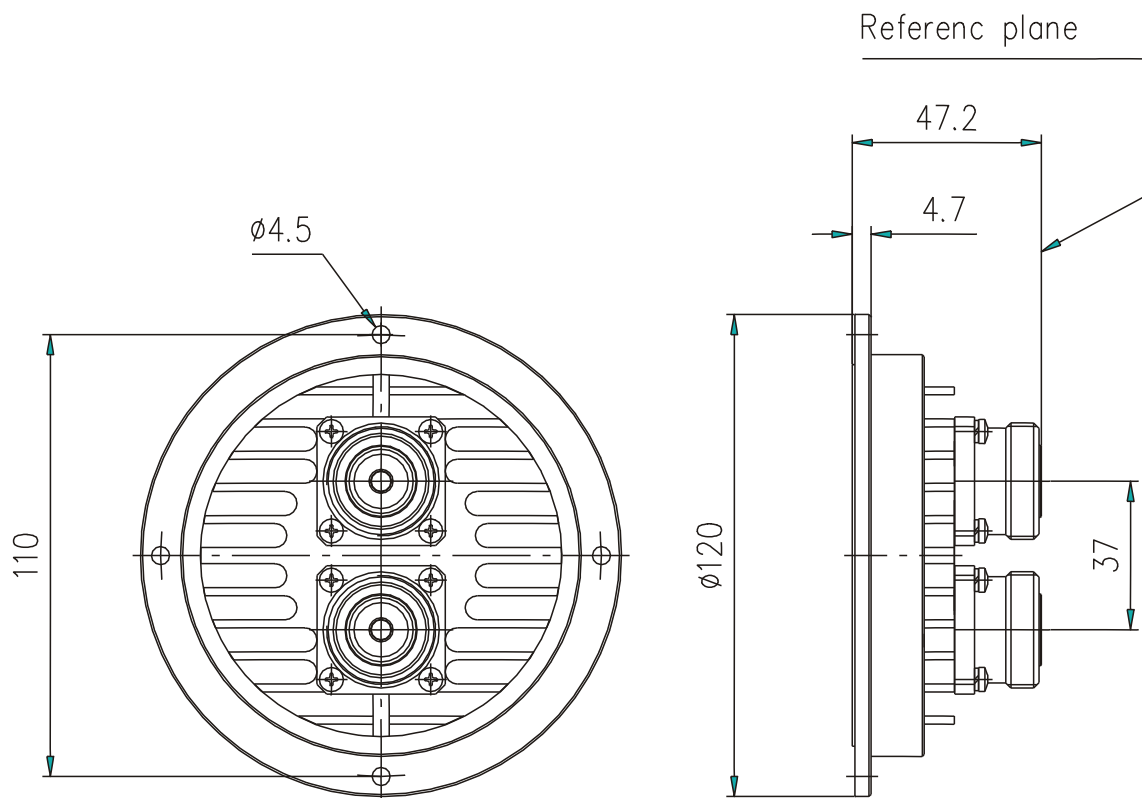


not binding

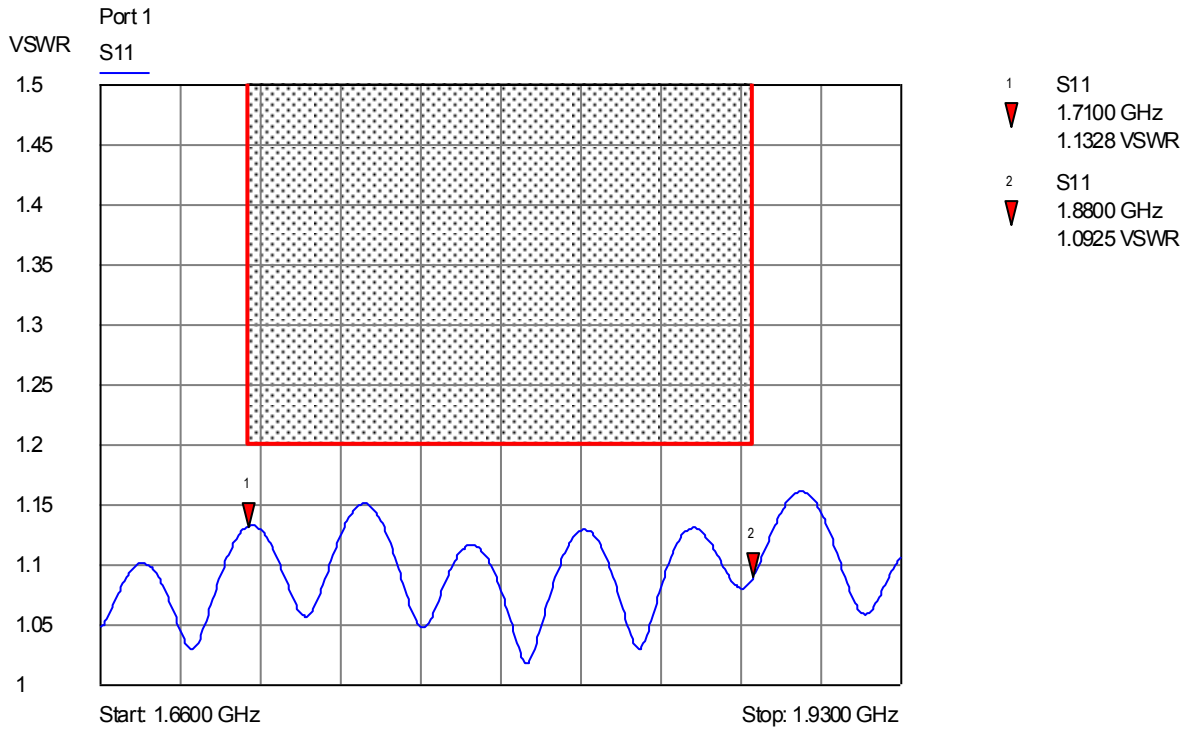


block diagram

Dimensions:



VSWR:



Insertion loss:

