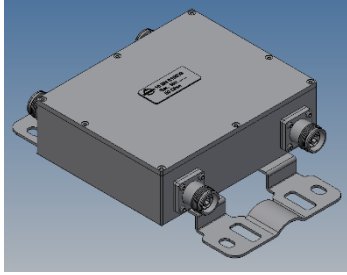
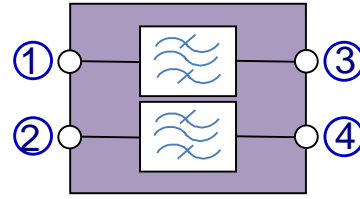


Double unit Bandpass Filter 1452-1492 MHz



Picture not Binding



block diagram

Electrical characteristics

Part number	BN 610033
Version	Double
Frequency range Passband Stopband	1452-1492 MHz DC-1427 MHz, 1710-3800 MHz
Insertion loss Passband Stopband	≤ 0.5 dB ≥ 50 dB
VSWR	≤ 1.25
Passive intermodulation (IM3), 3rd order @ 2 x 20W	n/a
Impedance	50 Ohm
Power Rating	150 W (CW) max. per input port

Mechanical characteristics

Connectors	4.3-10 female
Dimensions, approx. (without connectors)	154 mm x 124 mm x 47 mm (Width x Height x Depth)
Weight, approx.	1.8 kg
Paint Color	Grey (RAL 7047)
Wall / Mast mounting	Part of delivery

Environmental conditions

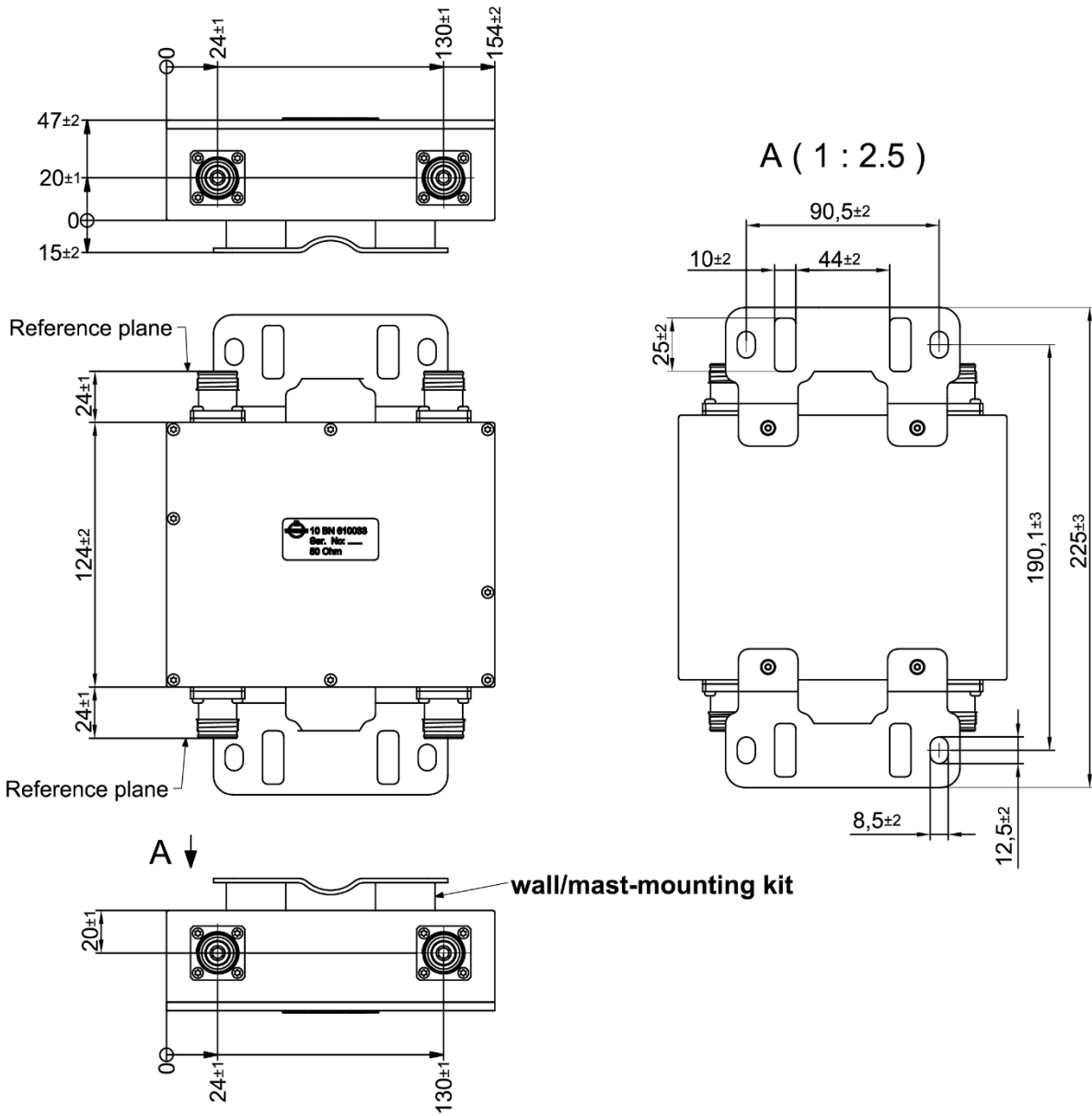
Class. of environmental conditions	ETSI EN 300019-1-1 Class 1.2 ETSI EN 300019-1-2 Class 2.3 ETSI EN 300019-1-4 Class 4.1E
Degree of protection	IP 65
Operation Ambient temperature range	-40 °C to +45 °C
Storage Ambient temperature range	-40 °C to +85 °C
Relative humidity, max.	95% (non-condensing)

SPINNER GmbH
 This document is proprietary to us.
 All rights reserved. Any use, transfer, or reproduction of this document
 or the know-how contained therein requires our express consent.

Template TD-00002Y

Double unit Bandpass Filter 1452-1492 MHz

Outline (all dimensions in millimeter)



Standard:
4.3-10 female (50 ohms): IEC 61169-54

Modification reserved

SPINNER GmbH
This document is proprietary to us.
All rights reserved. Any use, transfer, or reproduction of this document
or the know-how contained therein requires our express consent.

Template TD-00002Y