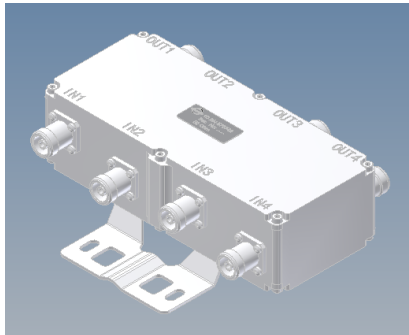
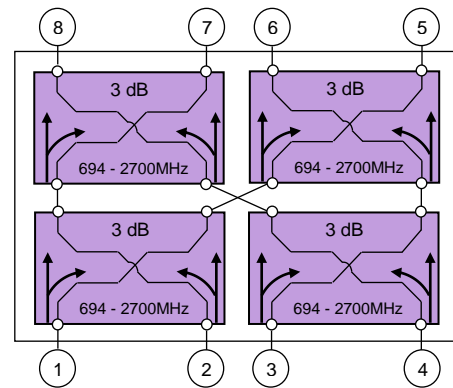


4-Way Combiner 694-2700 MHz



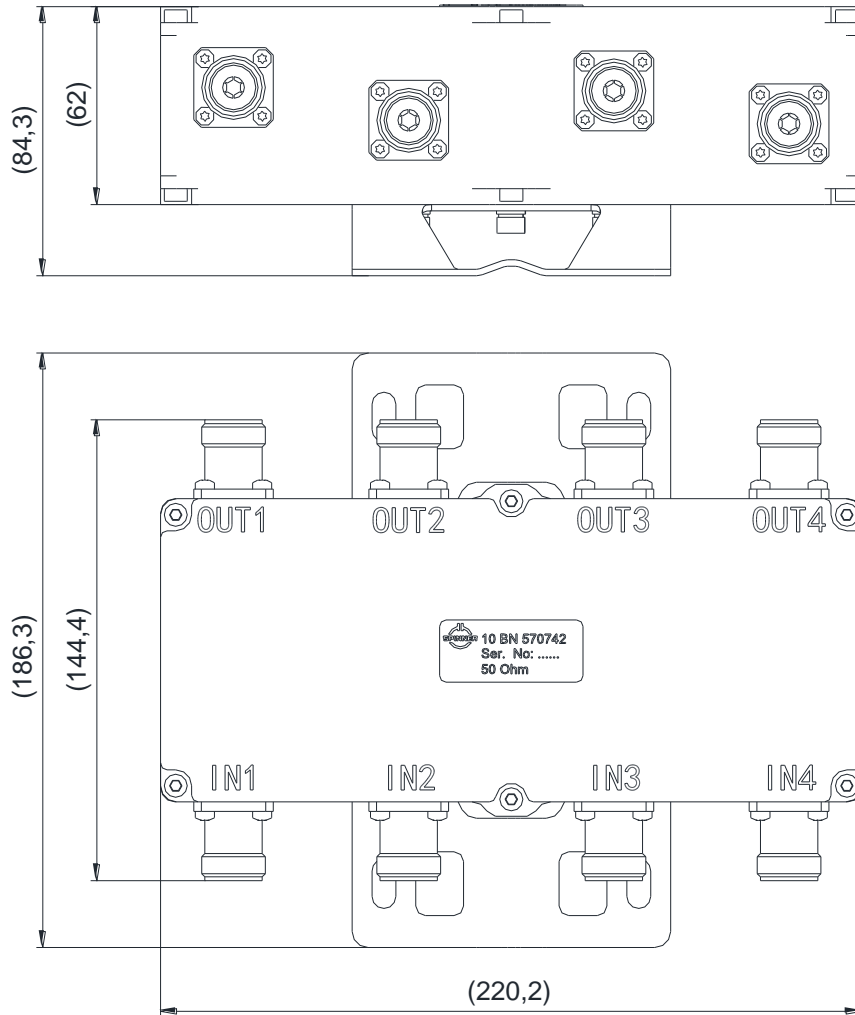
not binding



Block Diagram

Part number	BN 570742
Connectors	4.3-10 socket (50 Ohms)
Port 1 - 4	inputs
Port 5 - 8	outputs
Frequency range	694 - 2700 MHz
Insertion loss (including nominal 6 dB splitting losses) 694 - 2700 MHz	6.1 dB ± 1.0 dB
Isolation	≥ 25 dB typ. 30 dB
VSWR	≤ 1.25 typ. 1.15
Power rating	200W (CW) max. per port
IM - value 3rd order @ 2 x 20W	≤ -160 dBc typical: ≤ -165 dBc
Test voltage	500 V
Special feature	By-pass@Port1 to Port5 By-pass@Port2 to Port7 By-pass@Port3 to Port6 By-pass@Port4 to Port8
Degree of protection	IP 65 outdoor
Environmental conditions	ETSI EN 300019-1-1 Class 1.2 ETSI EN 300019-1-2 Class 2.3 ETSI EN 300019-1-4 Class 4.1E
Weight	≤ 2.45 kg
Wall / Mast mounting	Part of delivery
Operating temperature	-30 °C - +65 °C
Dimensions (w x h x d) (with mounting kit)	Approx. 220 mm x 187 mm x 85 mm

Dimensions:



Standard:

4.3-10 female (50 ohms): IEC 61169-54

modifications reserved!