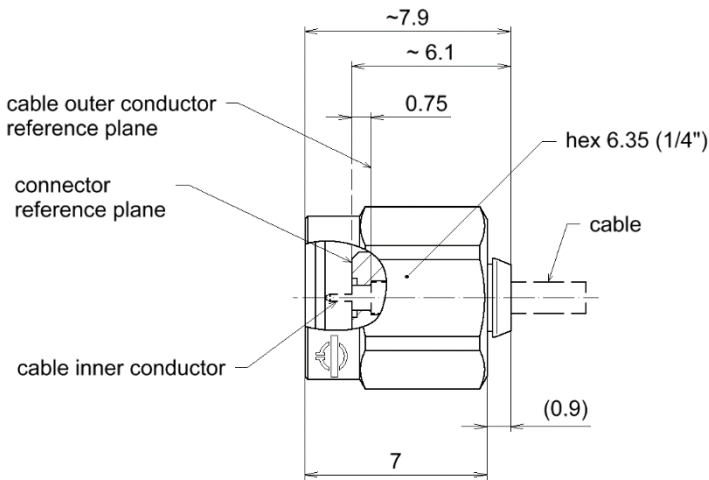


Type 1.35 mm Plug for cable UT-047 || BN 534942



all dimensions in millimeter

**Radio frequency characteristics**

Interface type	1.35 mm plug per IEEE Std 287
Frequency range	DC to 90 GHz
Impedance	50 Ω
Return loss, min.	17 dB @ DC to 90 GHz

**Mechanical characteristics**

Outer conductor material / surface finish	copper alloy / gold-plated
Coupling nut / surface finish	copper alloy / CuSnZn-plated
Version	solder
Cable compatibility	UT-047
Mechanically compatible with cable	Outer conductor: dia. 1.19 +/- 0.03 mm, Dielectric: dia. max. 0.945

**Scope of delivery and accessories**

installation instructions	M36494
---------------------------	--------